

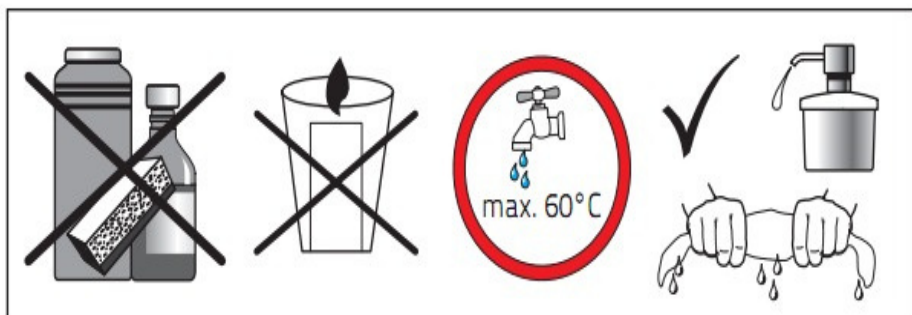
Cleaning and Maintenance

We recommend cleaning the bathtub regularly to prevent the buildup of dirt and limescale.

For regular cleaning, use a soft cloth and a mild liquid cleaning agent.

We recommend using a cleaning product designed for acrylic surfaces, which adds shine and protects the surface.

Do not use abrasive cleaning agents, scrapers, metal brushes, or other objects that could scratch or otherwise damage the surface.



Installation and Leveling of the Bathtub

Important: The bathtub must be properly installed and leveled.

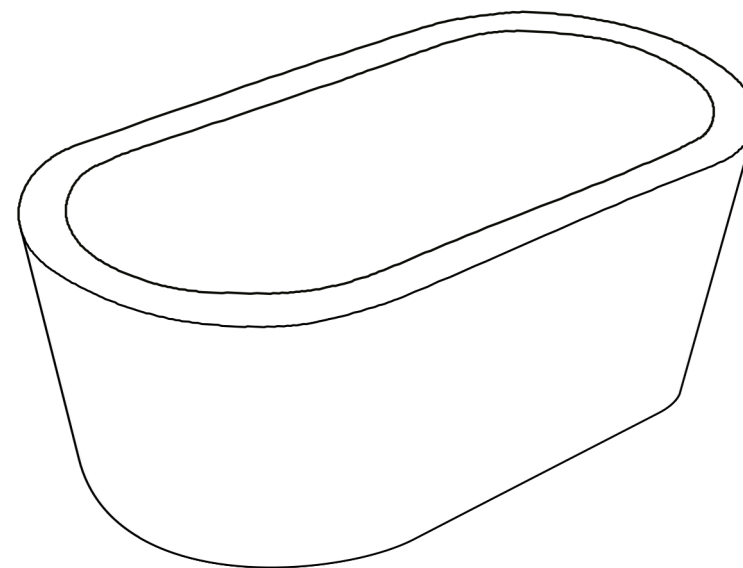
Level the bathtub using the adjustable legs. The legs are located under the supporting frame. All legs must be positioned so that they touch the floor.

Once the bathtub is placed in the correct position, make sure it is level in all directions for proper drainage.

Freestanding acrylic bathtubs must never rest directly on the floor.

They must stand on their legs, and there must be a 2 mm gap between the bathtub and the floor.

INSTALLATION MANUAL FOR FREESTANDING BATHTUBS



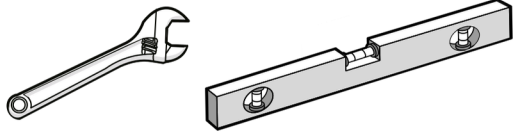


Important Notice

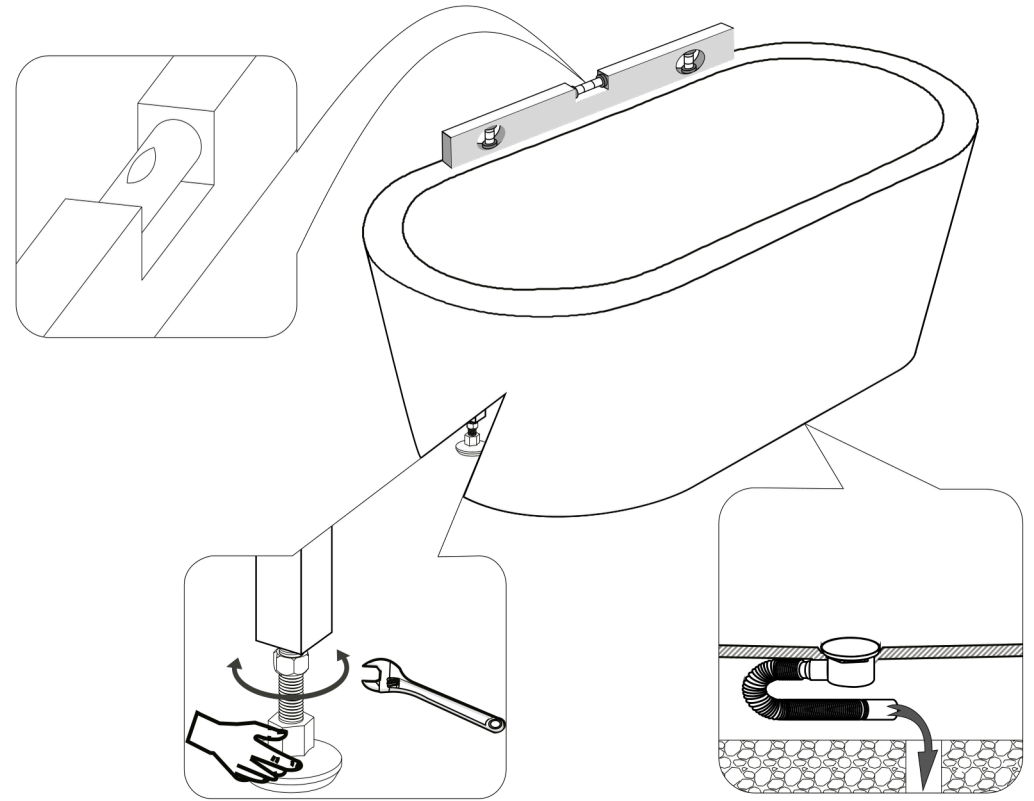
Due to the heavy weight of the bathtub, we recommend that any handling and installation be carried out by two people.



Tools Required for Installation



Installation



Drain Position

Drain

