

ravak®

Yard Furniture

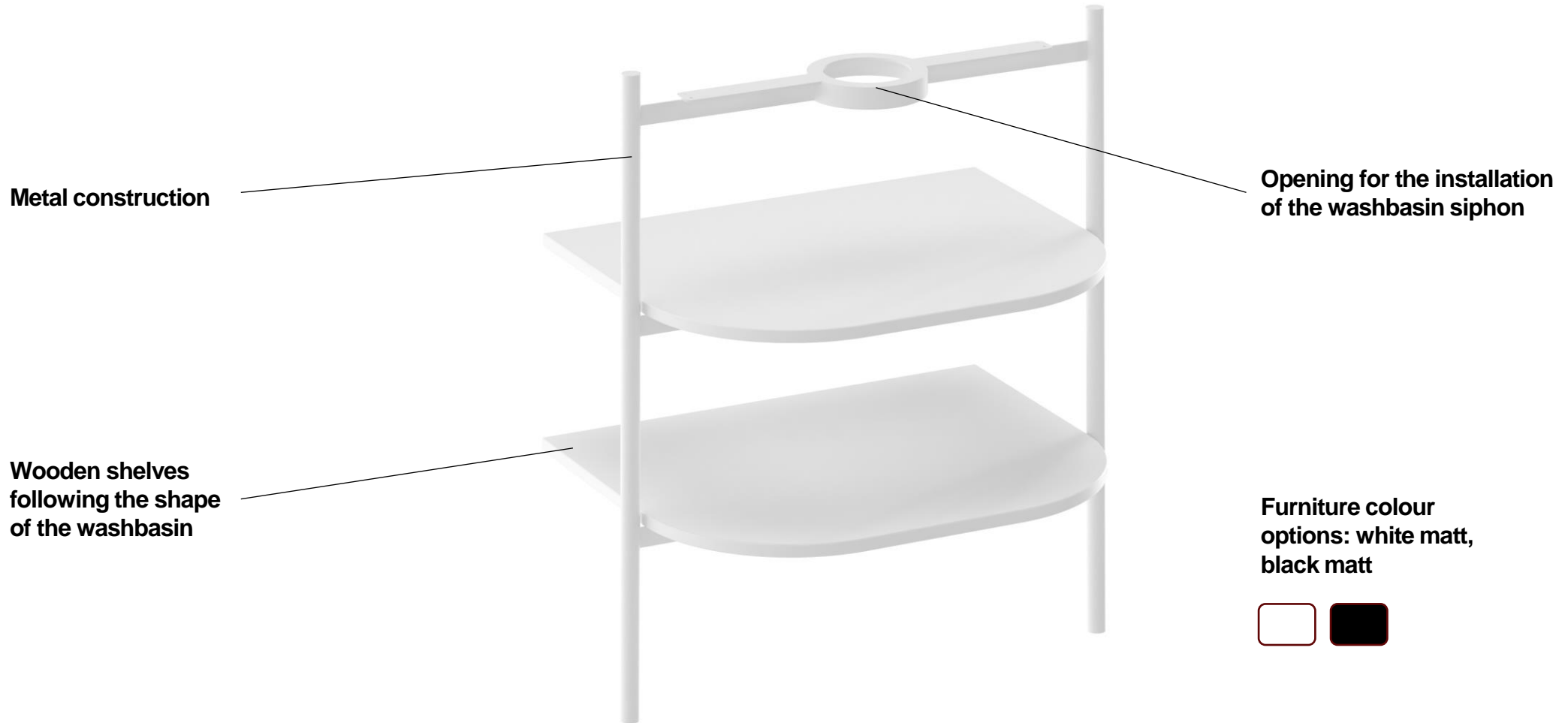
Open shelving furniture for Yard washbasins



Why are we bringing this novelty to the market?

- By introducing the Yard furniture, we aim to support the sales of washbasins from this series.
- We will offer customers an additional installation option for Yard washbasins with the bonus of extra storage space in the bathroom.
- We are filling the gap in the Yard washbasin range by offering the possibility of combining it with furniture, something that was previously missing, providing customers with a comprehensive solution for their bathrooms.

Design of the Yard open shelving furniture



New open shelving furniture with Yard washbasin



Yard Furniture

- The shelving system with steel legs provides ample storage space for the bathroom without appearing bulky. Easy access to essential items such as towels or cosmetics enhances user comfort.
- Thanks to the thoughtful design with two shelves following the rounded lines of the Yard washbasins, it brings a subtle contrast to the right angles of the other bathroom furniture.
- An elegant and practical feature is the slight overhang of the top part of the metal legs, which also serves as a towel holder.



Yard Furniture

- The subtle shape of the entire structure highlights the colour scheme. In contrast with the white washbasin, the coloured furniture acts as a vibrant accent in the bathroom, while the monochromatic design of both the washbasin and the shelving structure creates an elegant and sophisticated impression.
- The available colour options – matte white and matte black – meet current interior design trends, making it easy to integrate into various bathroom styles.



Open shelving Yard furniture



CS Yard 400, white matt



CS Yard 600, white matt



CS Yard 800, white matt



CS Yard 400, black matt



CS Yard 600, black matt



CS Yard 800, black matt

CS Yard 400



CS Yard 400

Shelf material	impregnated MDF board
----------------	-----------------------

Construction material	metal
-----------------------	-------

Colour option	white matt, black matt
---------------	------------------------

Dimensions (W × D × H)	468 × 495 × 765 mm
------------------------	--------------------

Warranty	5 years
----------	---------

Packaging	construction and shelves in one package, supplied disassembled
-----------	--

Installation	according to the assembly instructions
--------------	--

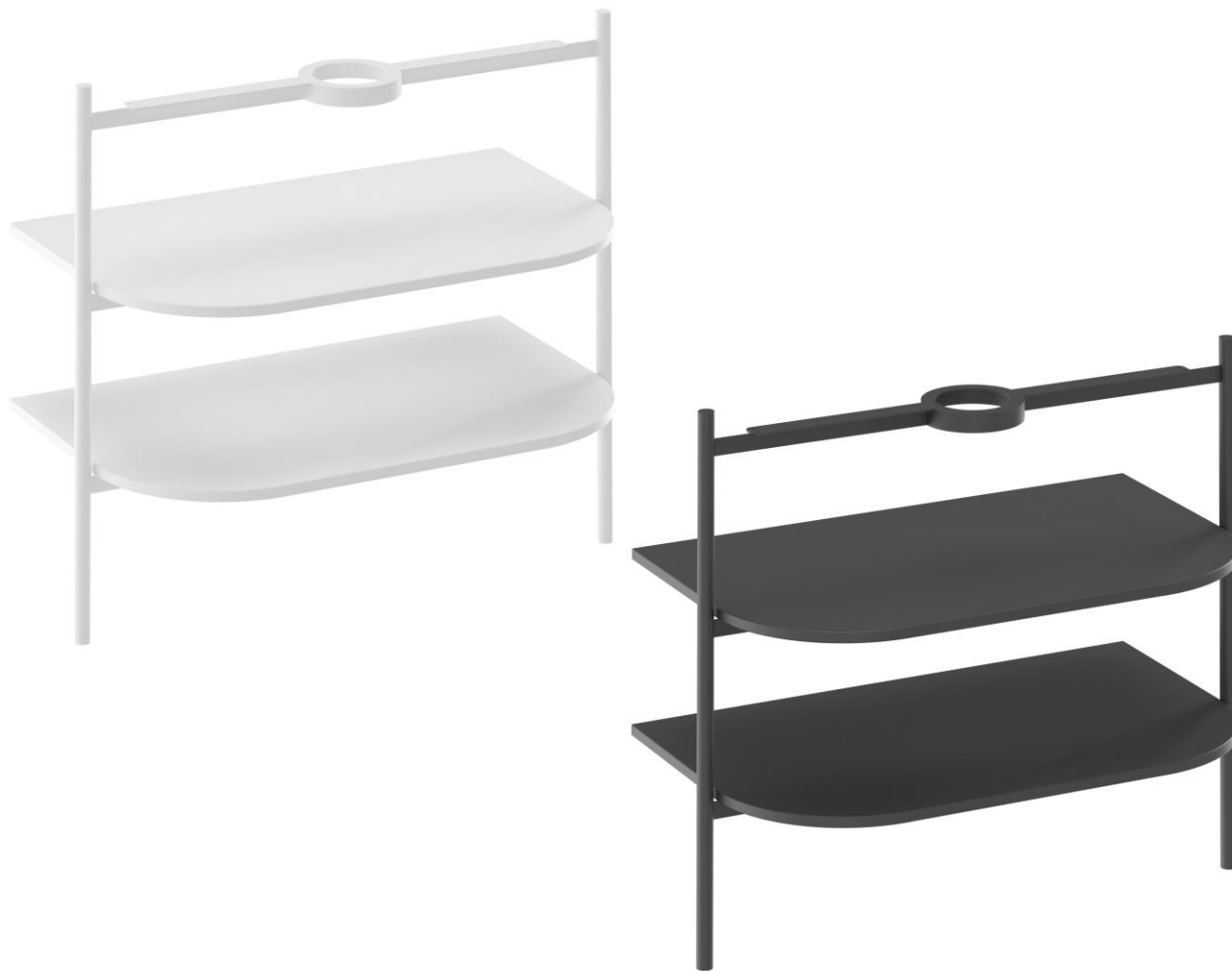
CS Yard 600



CS Yard 600

Shelf material	impregnated MDF board
Construction material	metal
Colour option	white matt, black matt
Dimensions (W × D × H)	668 × 495 × 765 mm
Warranty	5 years
Packaging	construction and shelves in one package, supplied disassembled
Installation	according to the assembly instructions

CS Yard 800



CS Yard 800

Shelf material	impregnated MDF board
----------------	-----------------------

Construction material	metal
-----------------------	-------

Colour option	white matt, black matt
---------------	------------------------

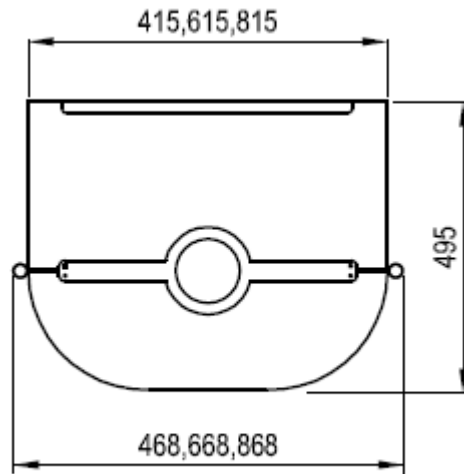
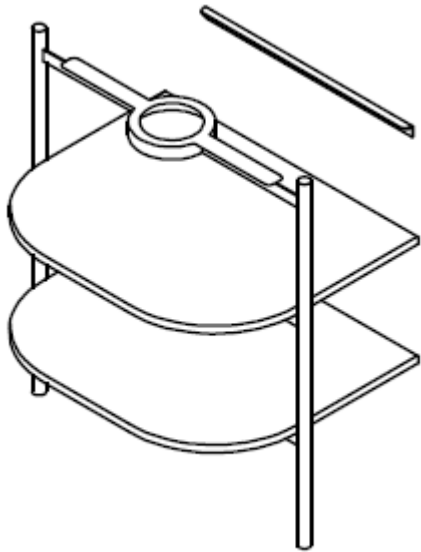
Dimensions (W × D × H)	868 × 495 × 765 mm
------------------------	--------------------

Warranty	5 years
----------	---------

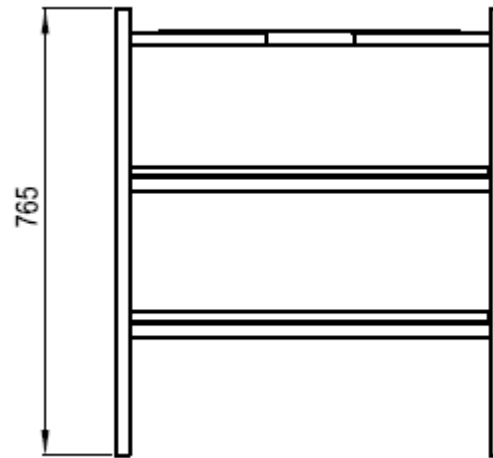
Packaging	construction and shelves in one package, supplied disassembled
-----------	--

Installation	according to the assembly instructions
--------------	--

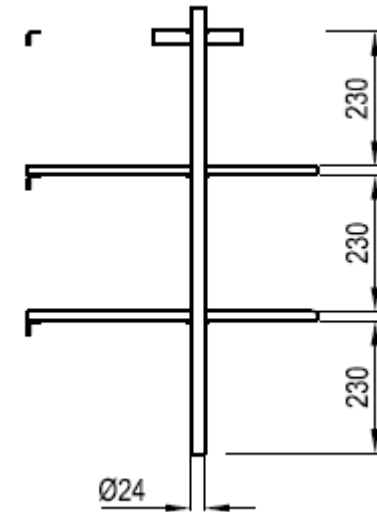
Technical drawings – furniture without washbasin



top view

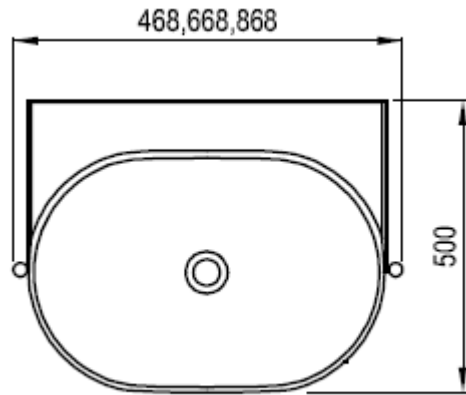
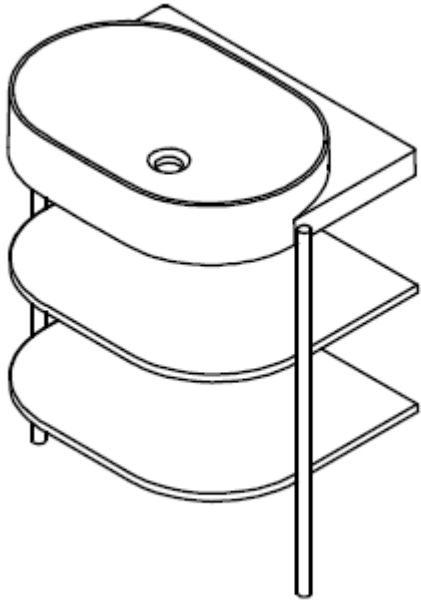


front view

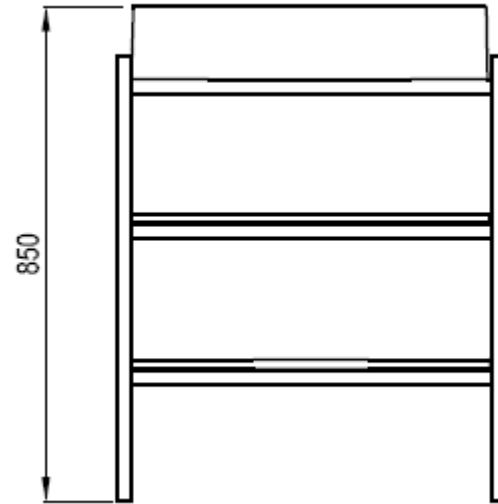


side view

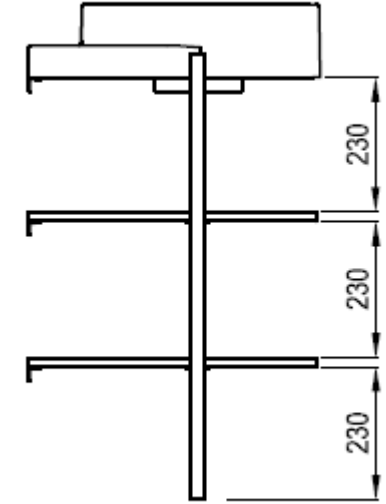
Technical drawings – furniture with washbasin



top view



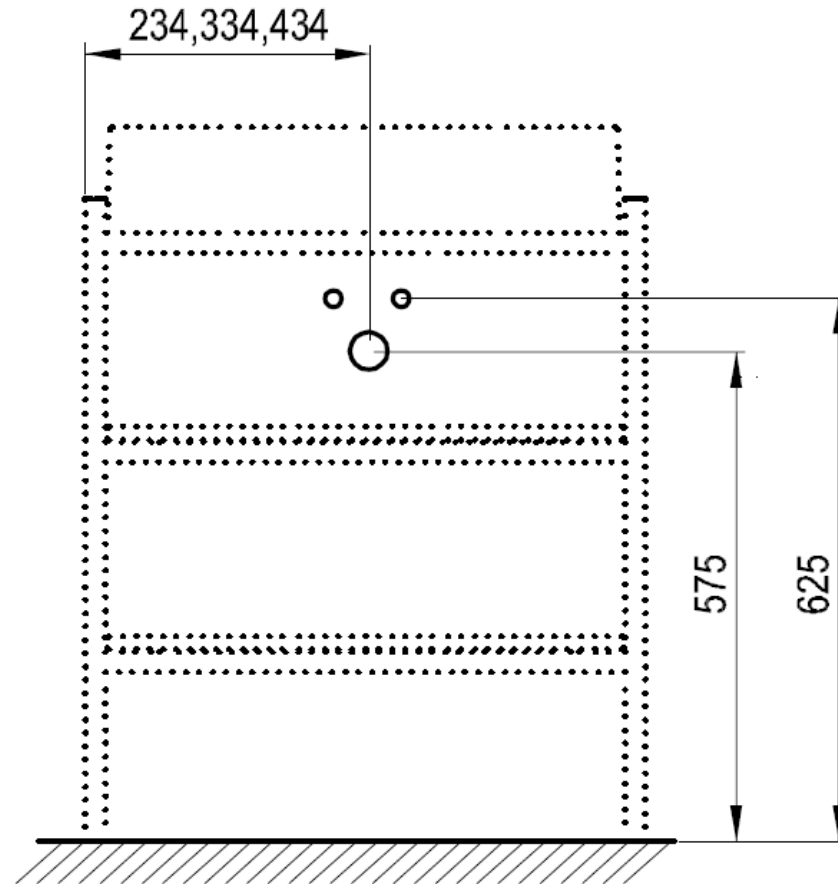
front view



side view

Construction readiness

- For a smooth furniture installation and seamless connection of the necessary accessories to the washbasin, it is essential to follow the recommended construction readiness.



Visualizations



Open shelving Yard furniture



Visualizations



ravak[®]

Thank you for your attention

RAVAK a. s.
Obecnická 285
261 01 Příbram I
+420 318 427 111
info@ravak.com
ravak.com

Thinking bathroom?
Think **ravak**[®]