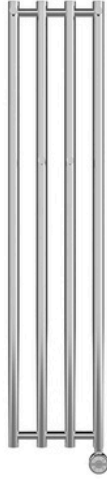
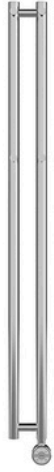
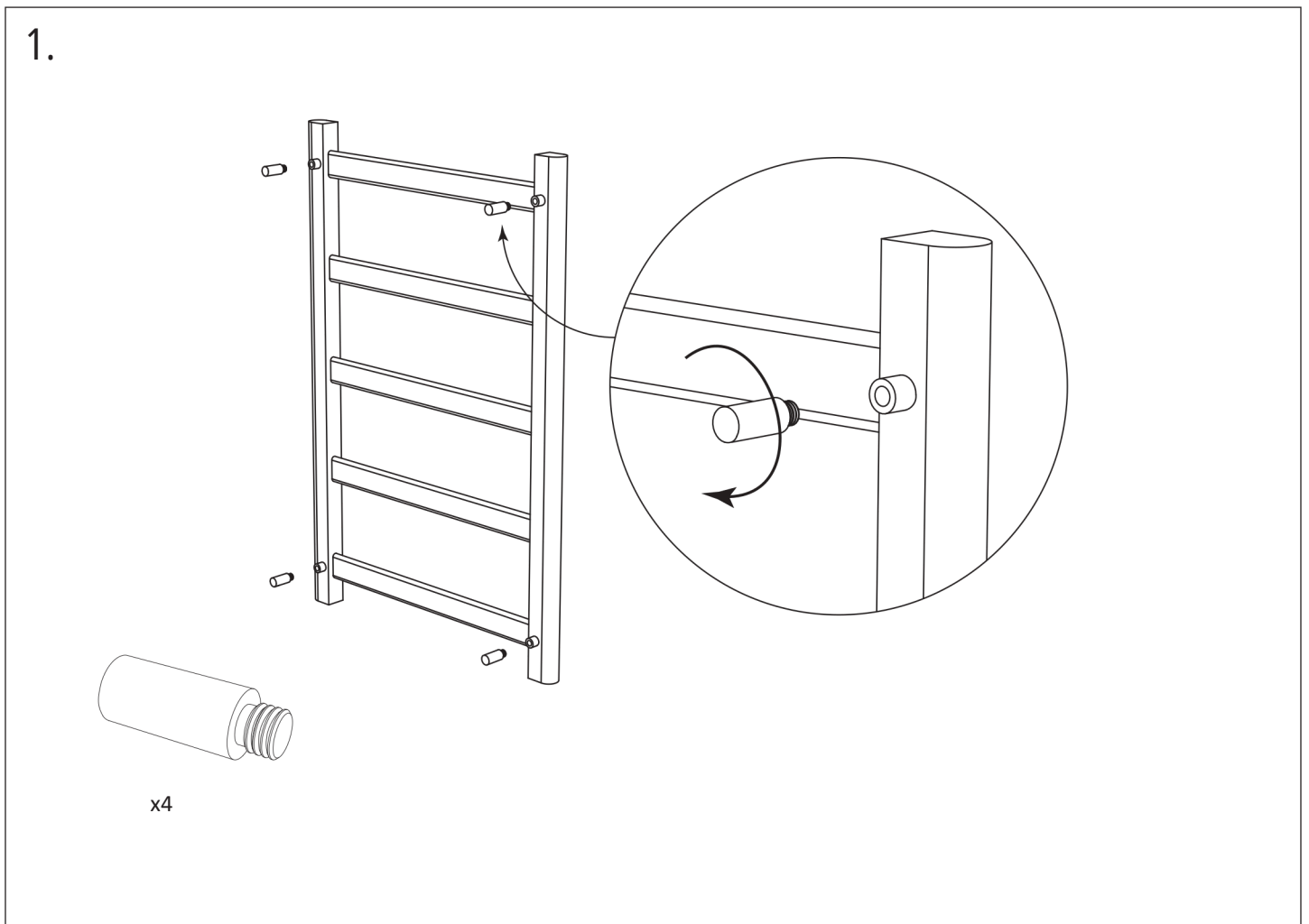


HANDDUKSTORK

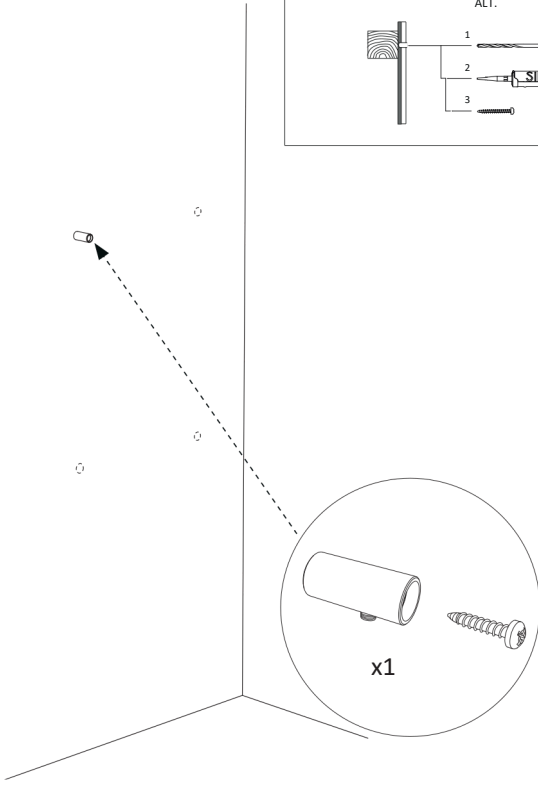
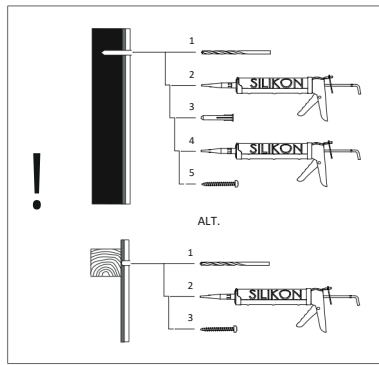


Installation

- Check the Towel Rail for damage and finish before installation.
- Installation must always be carried out by a qualified person.
- Before fitting the radiator, flush out the heating system to remove any existing debris, scale, residues, traces of flux, oil, etc.
- Ensure the space you have is of adequate dimensions and that suitable services can be directed to the location.
- Check you have sufficient space to accept the projection of the towel rail without impeding access or door openings, etc.
- Check the heater is installed at the bottom of the radiator and in a vertical position. Installing at the top will cause low efficiency and the heater breakdown in a very short time.
- Ensure your radtowel warmer is suitable for the available system. Never install an item containing ferrous (steel) in an open or domestic hot water circuit (DHW). If in doubt, ask your installer.
- Never install a towel rail without providing suitable isolation.

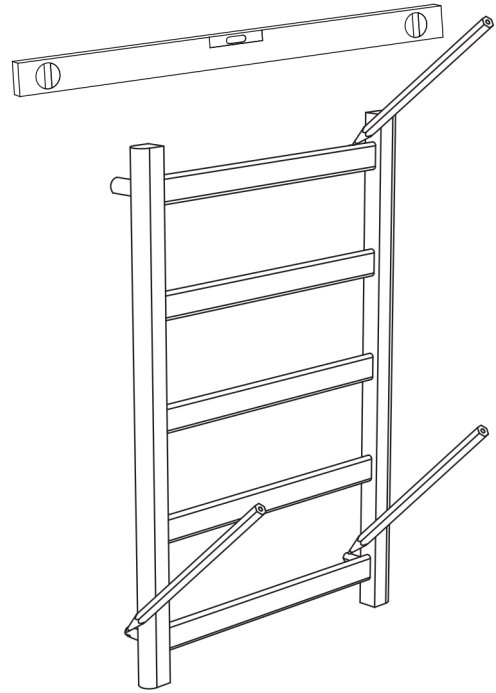


2.

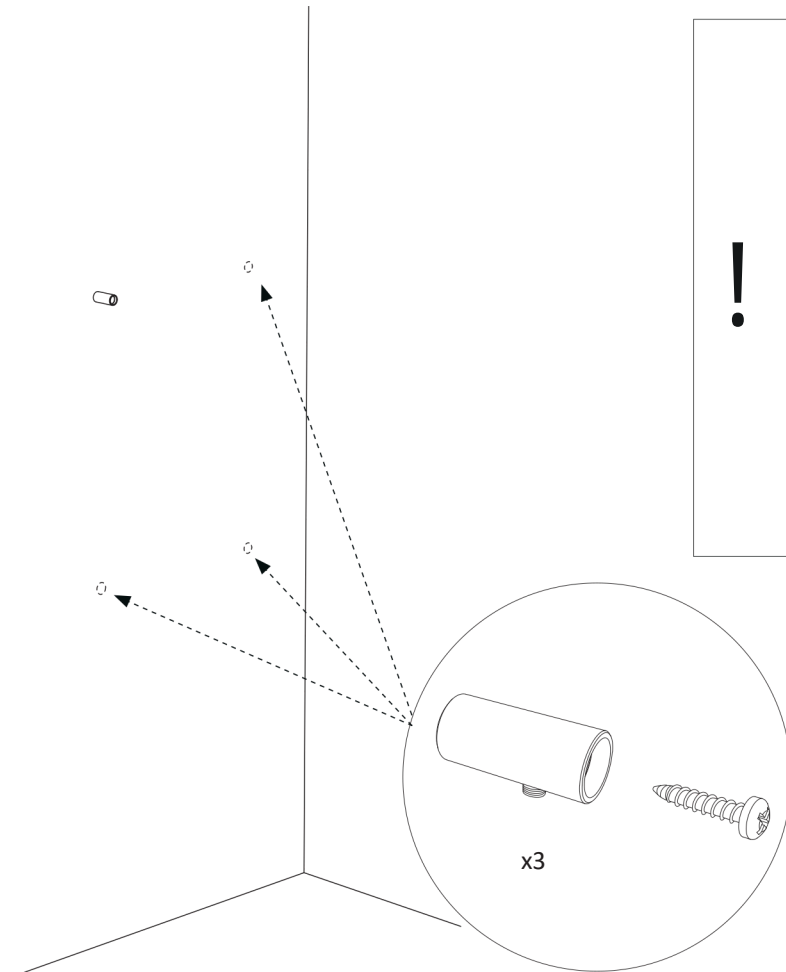
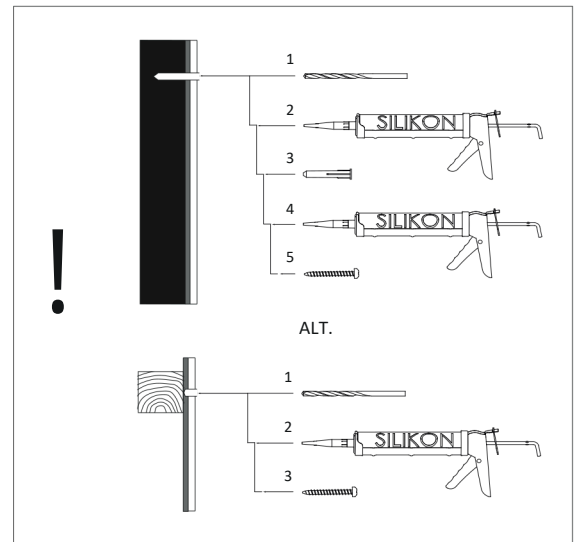


3.

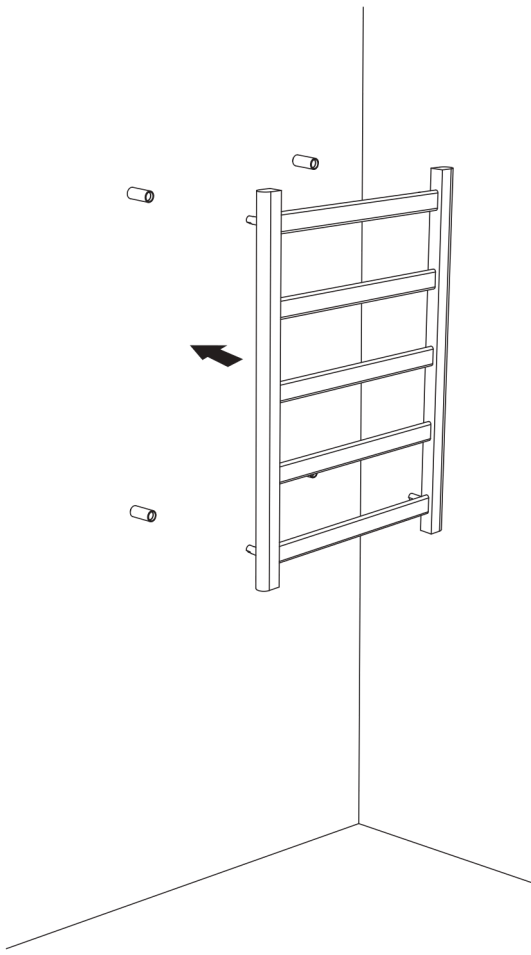
Kontrollera/
Check!



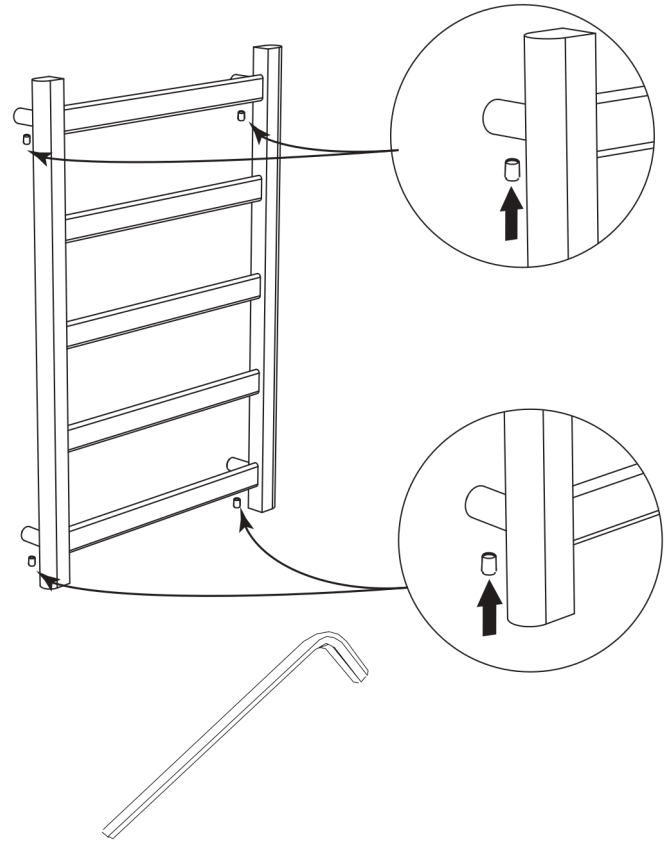
4.



5.



6.



7.

Kontrollera/Check!

