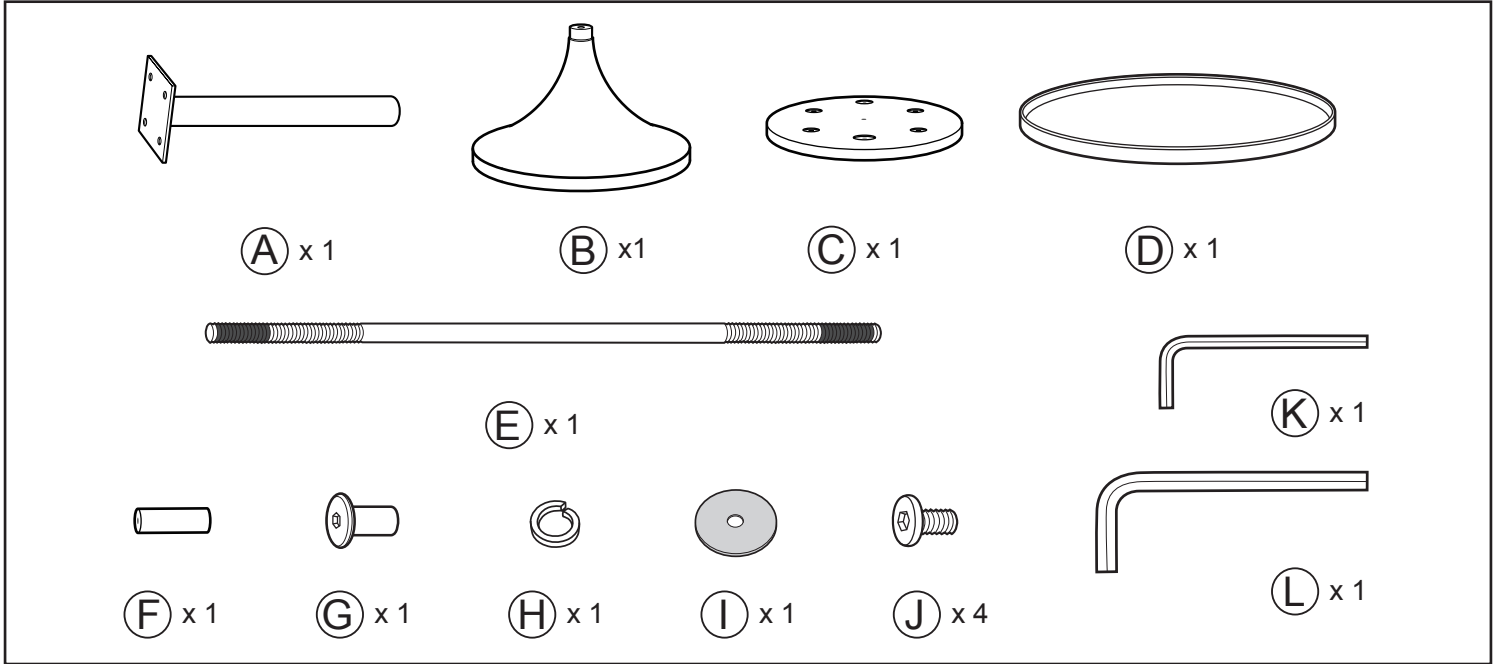


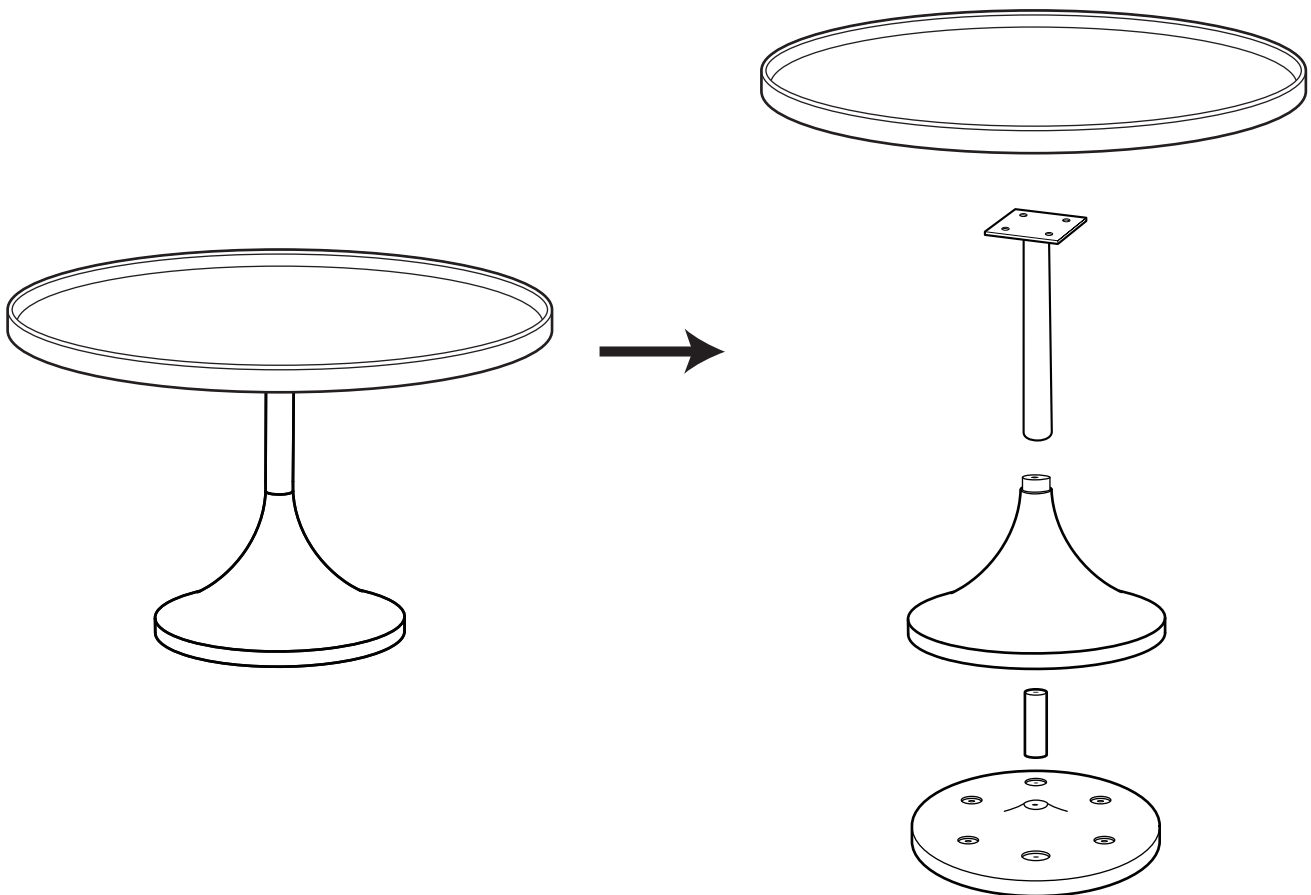
Assembly instructions

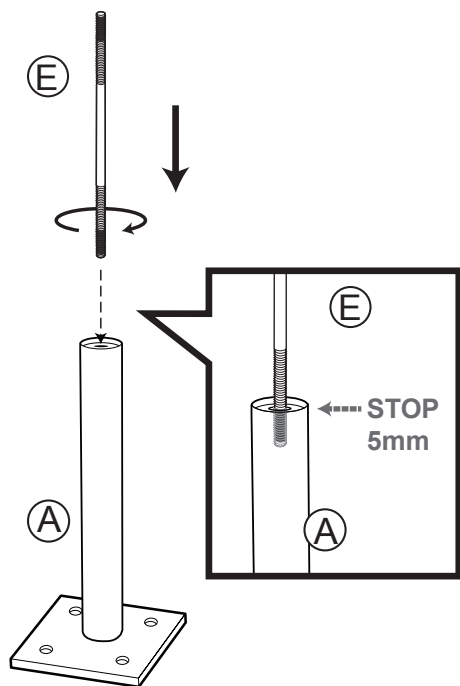
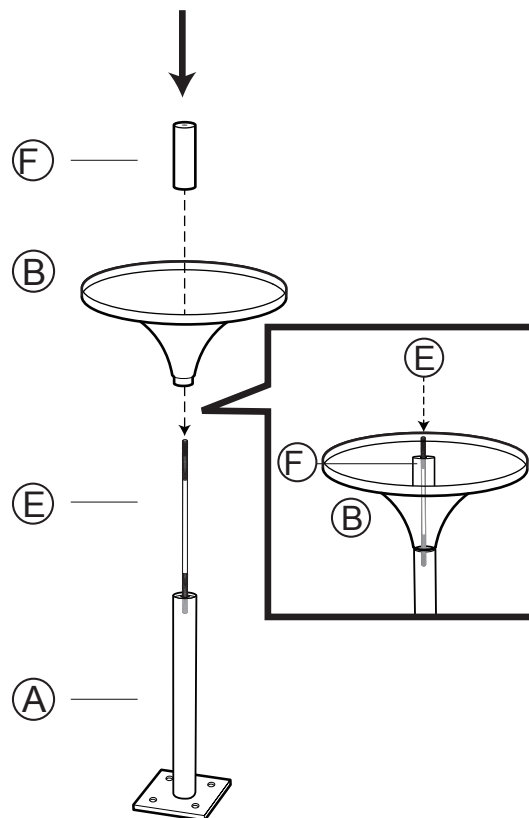
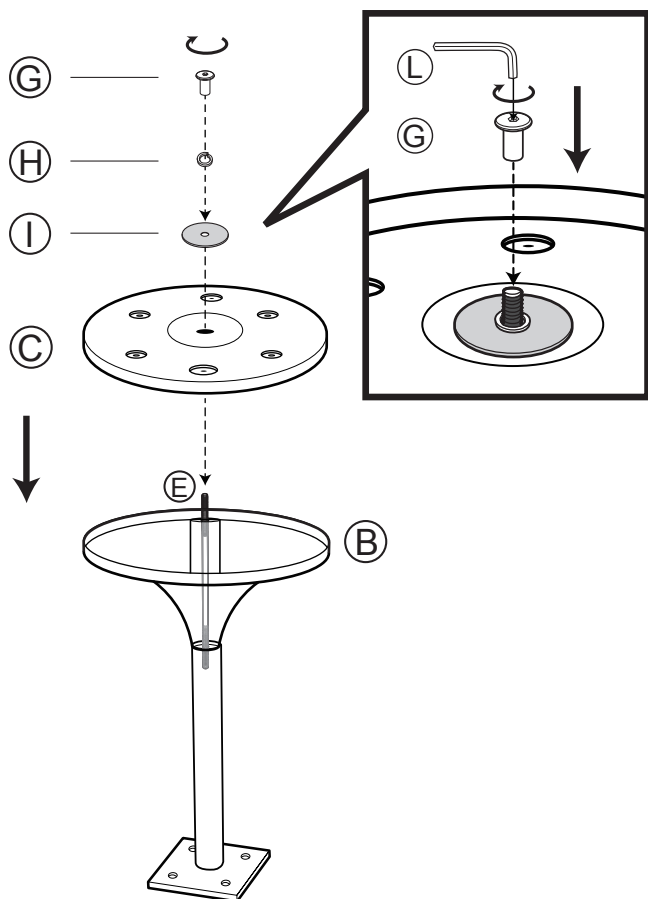
2300210 COFFEE TABLE JASON

ZUIVER^o



CAUTION : DO NOT TIGHTEN SCREWS COMPLETELY UNTIL ALL THE SCREWS ARE FIXED IN THE CORRECT POSITION. TO MAINTAIN YOUR PRODUCT, WE RECOMMEND THAT YOU TAKE EXTRA CARE BY USING COASTERS FOR PROTECTION AND IN CASE OF SPILLING, CLEAN DIRECTLY.



1**2****3****4**