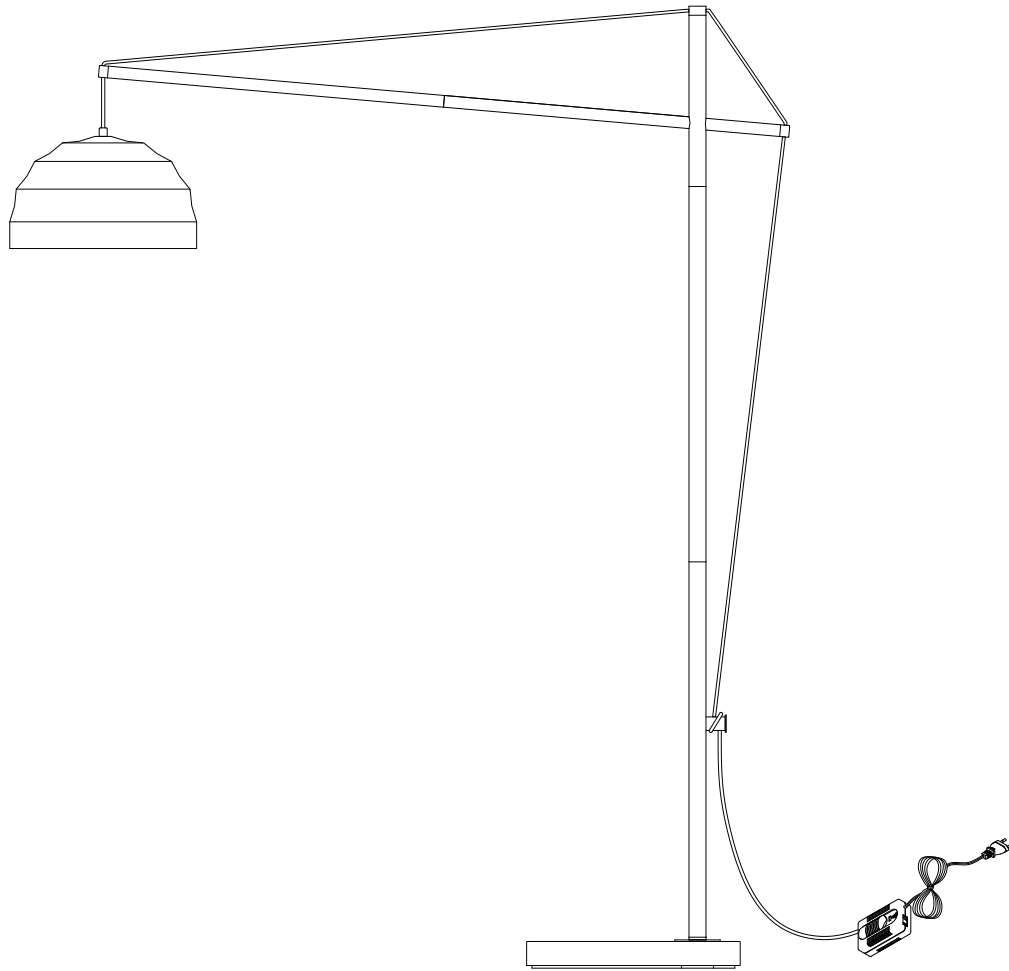
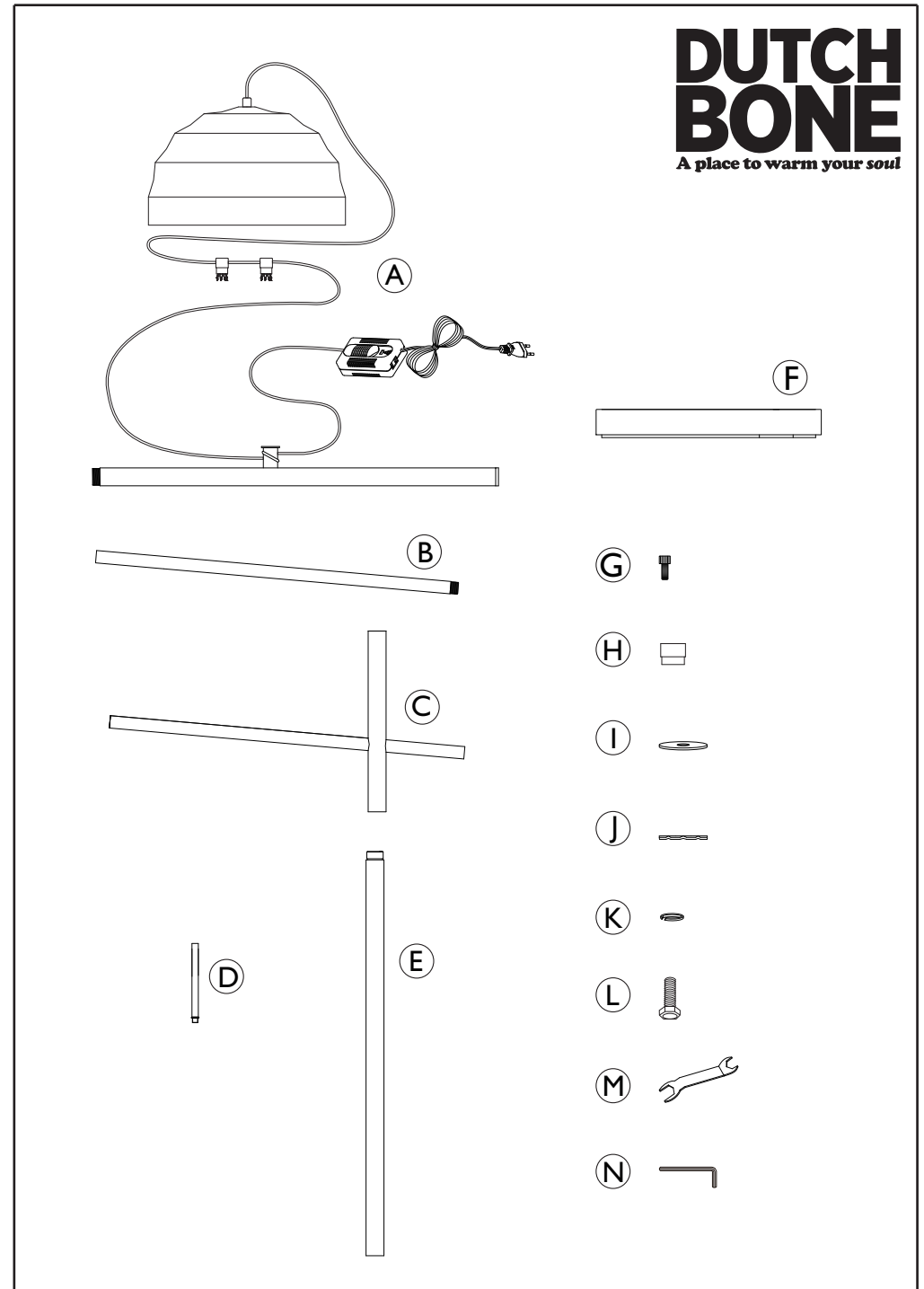


ASSEMBLY INSTRUCTIONS

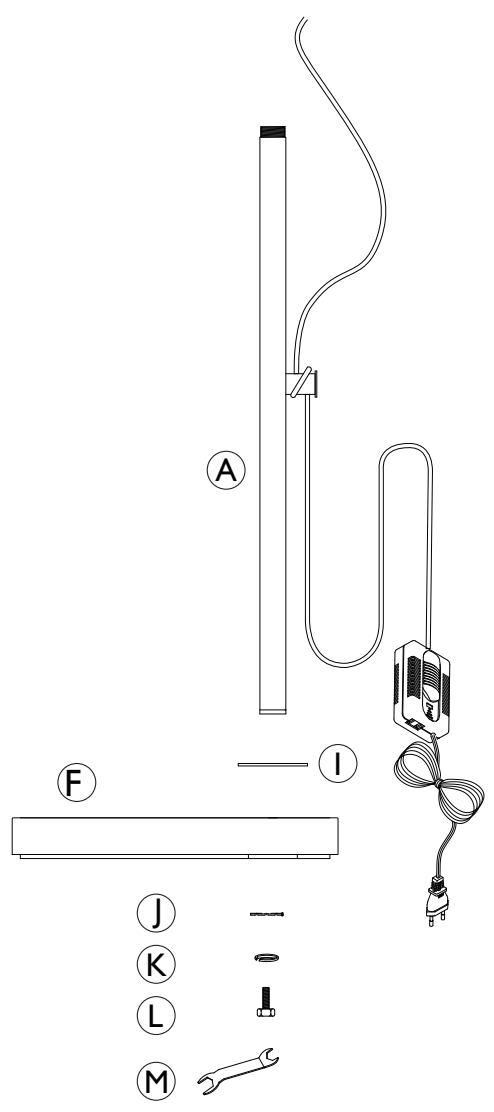
5200157 FLOOR LAMP LIWA



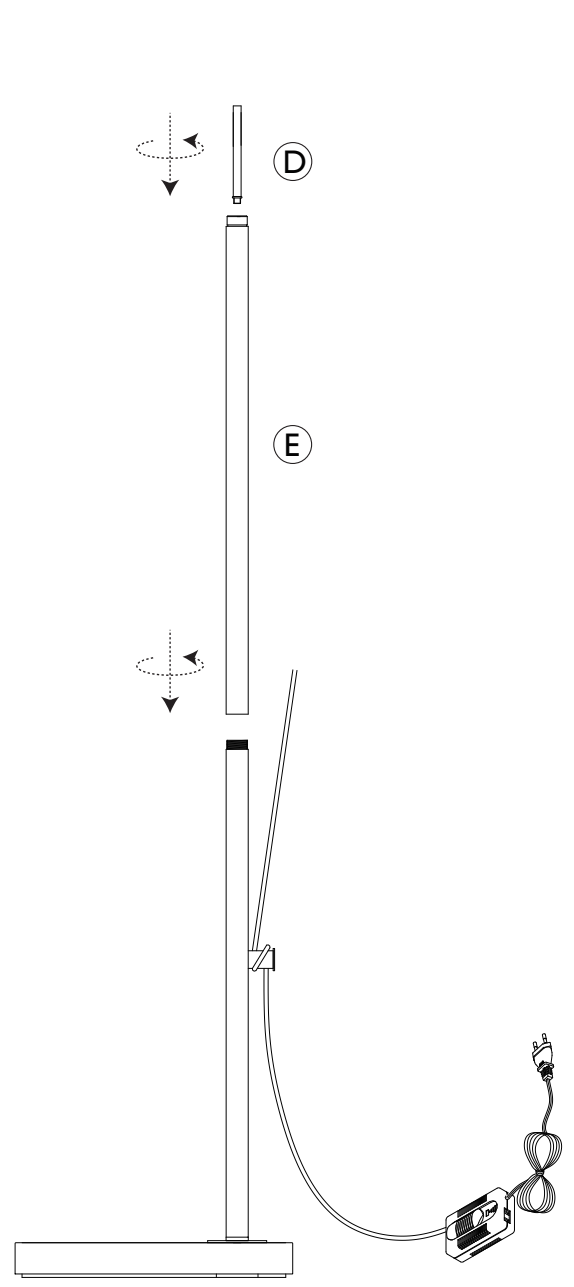
Caution : If the external flexible cable or cord of this luminaire is damaged, it should be replaced by a qualified person in order to avoid a hazard.



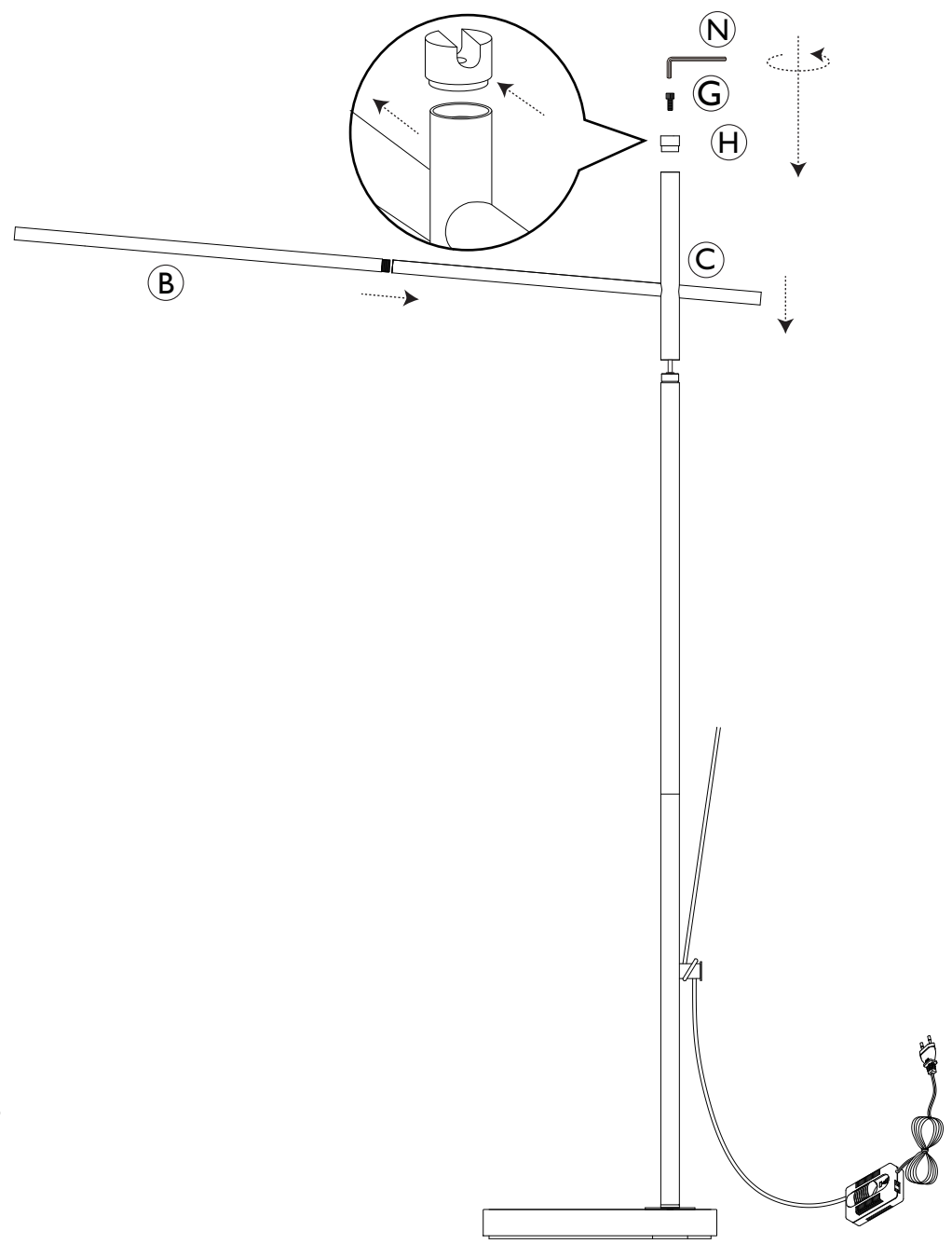
1



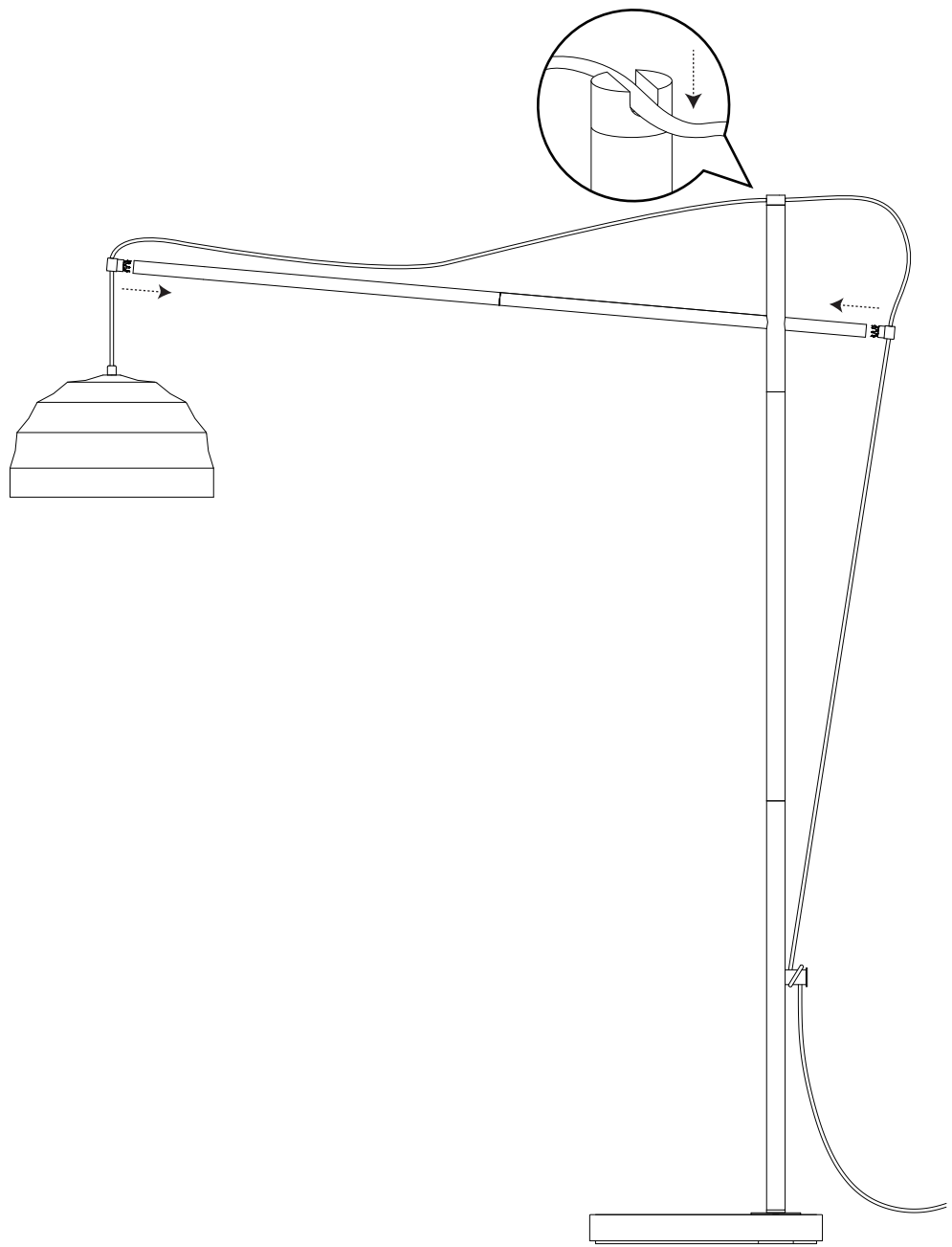
2



3



4



5

