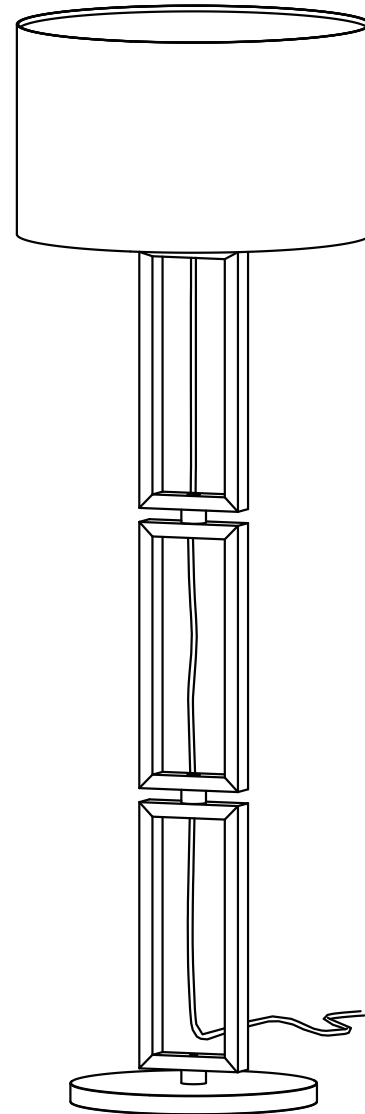


ASSEMBLY INSTRUCTIONS

5100137 FLOOR LAMP NASHVILLE



LAMPSHADE patent

USA: US 8,292,476/
US 9,546,770

China: ZL2008200000799.4

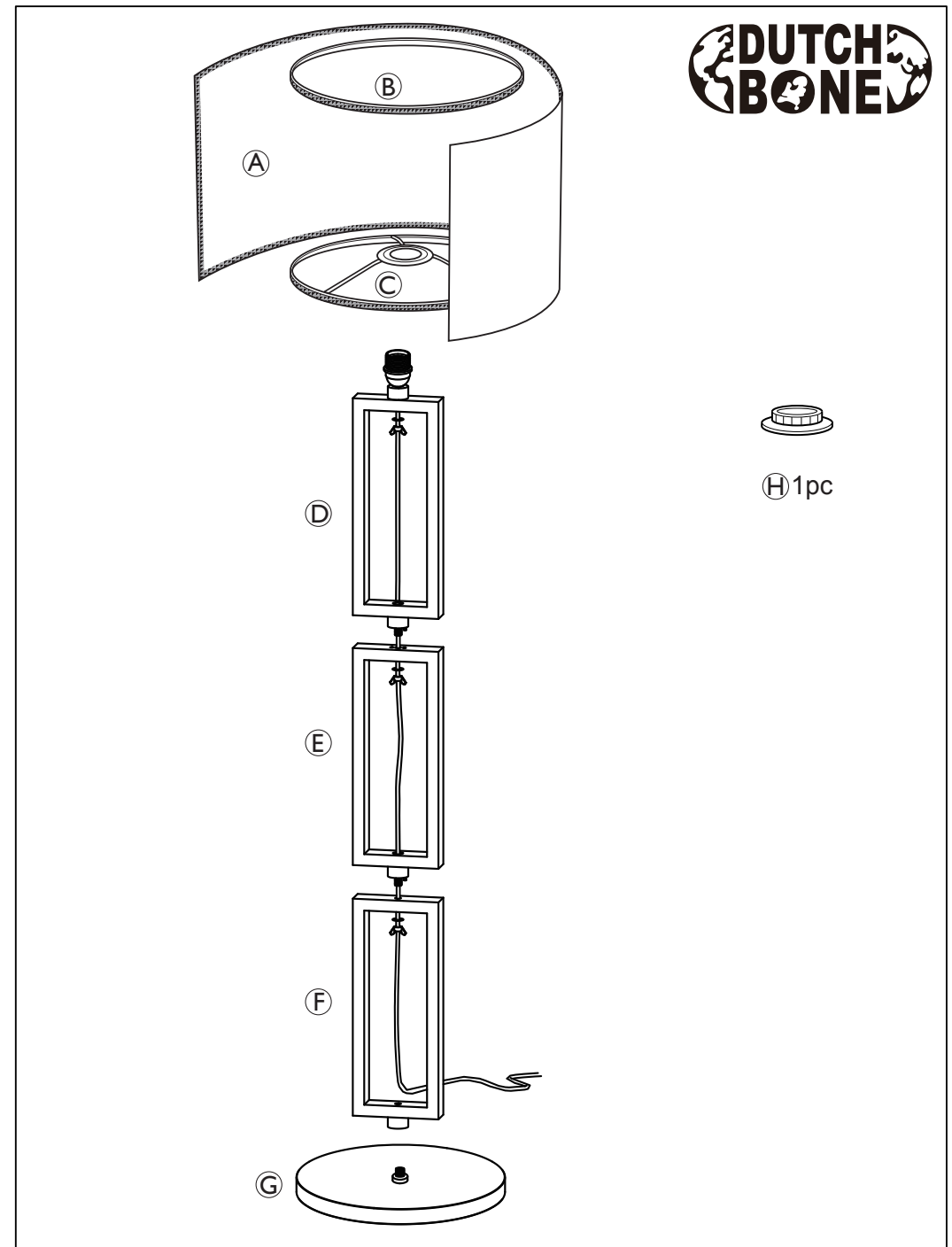
EU: 2098777/2988456

DE/NL: EP2098777

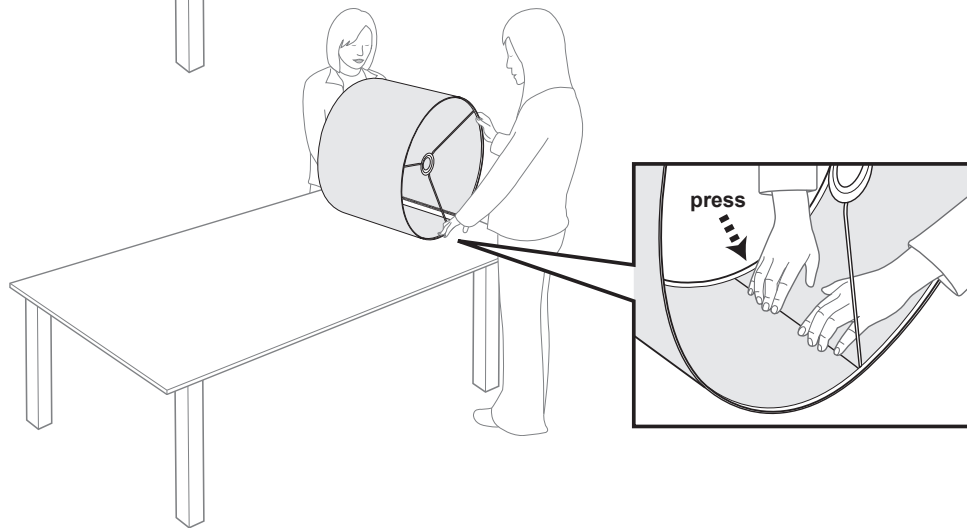
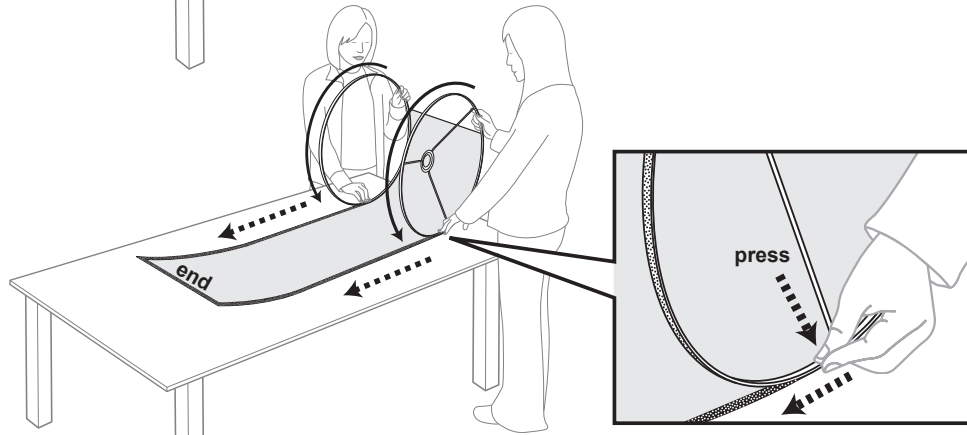
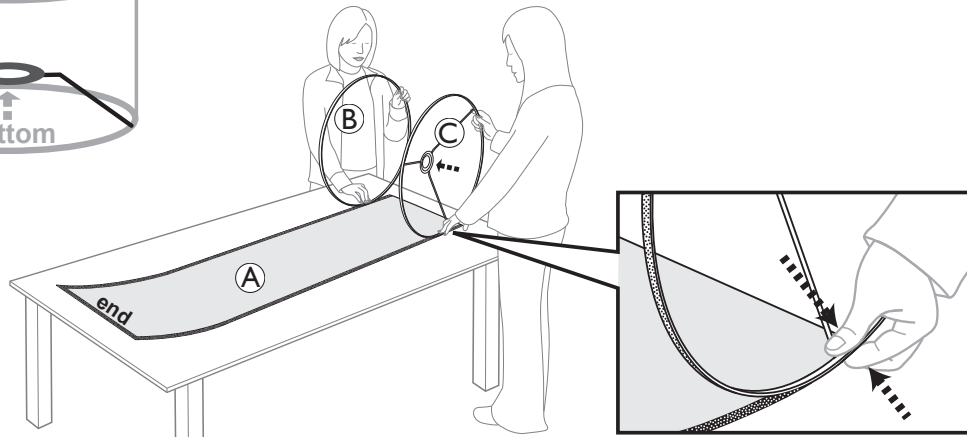
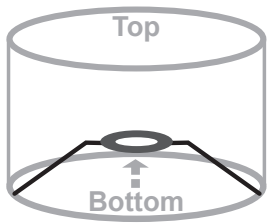
Japan: 3145825

Taiwan: M350672

Caution : If the external flexible cable or cord of this luminaire is damaged, it should be replaced by a qualified person in order to avoid a hazard.



1



2

