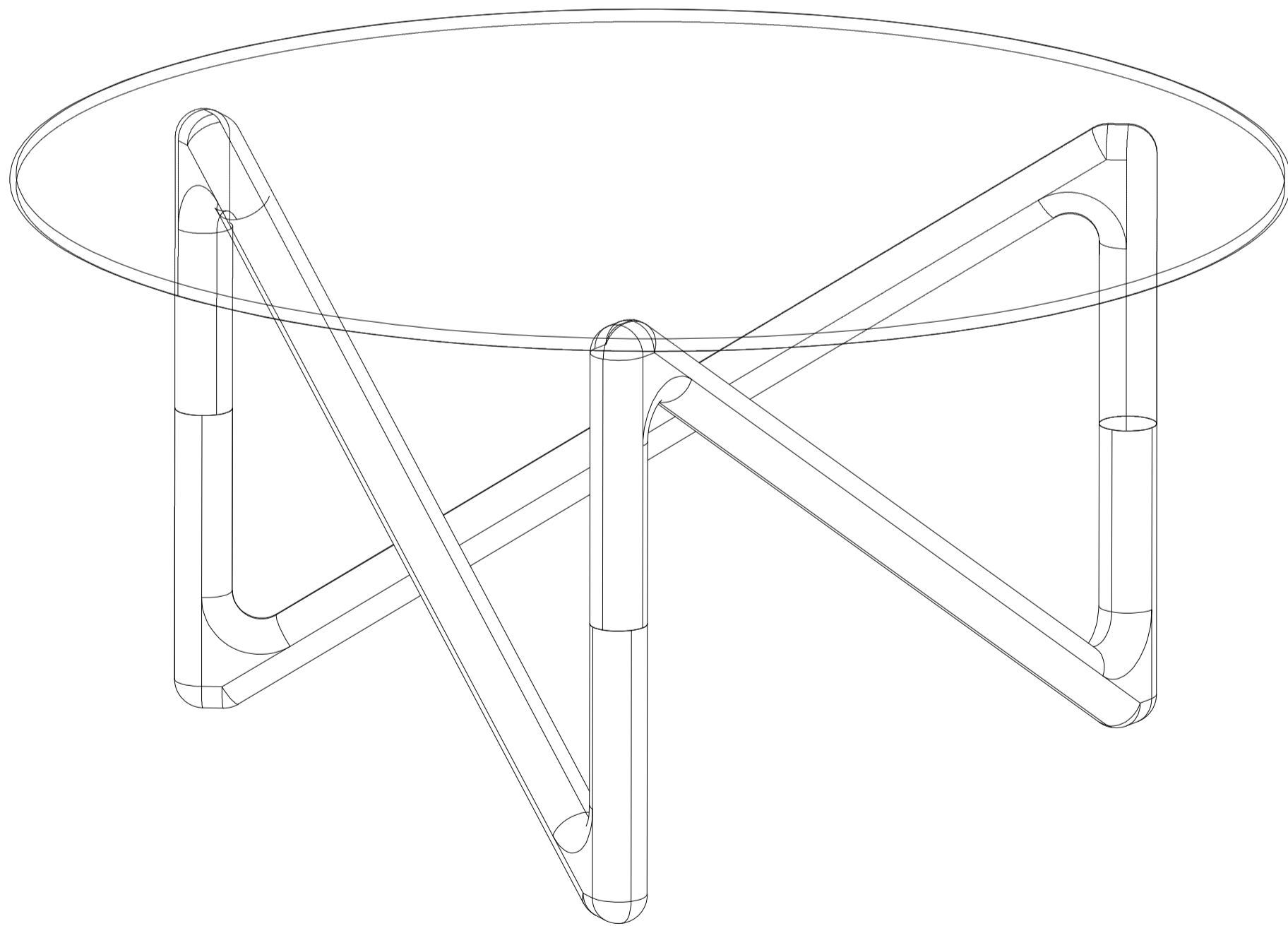


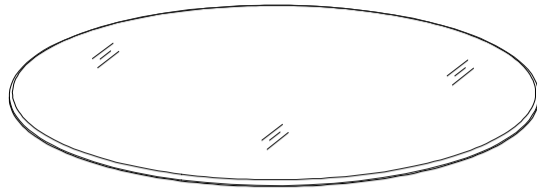
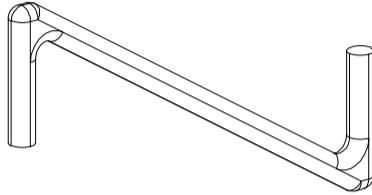
**DUTCH
BONE**
A place to warm your soul

COFFEE TABLE NAIA

ASSEMBLY INSTRUCTIONS



Component parts supplied

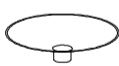
Ref	Description	Visual	Qty
1	Tempered Glass Top		1
2	Leg		3

Parts and fittings

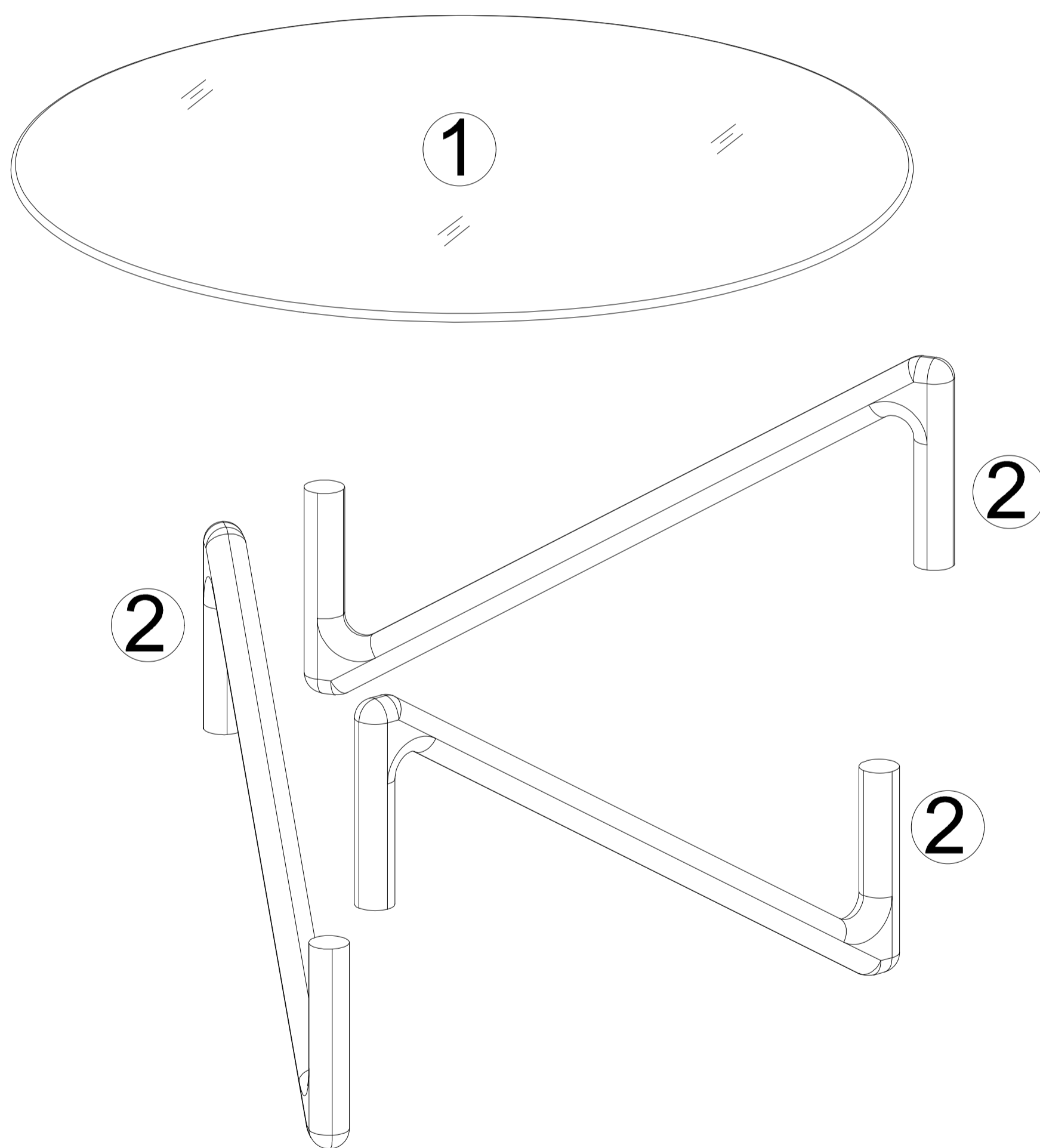
Fixtures and fittings supplied (actual size)

Ref	Description	Dimensions	Visual	Qty
A	Wood dowel	M10 × 40mm		3

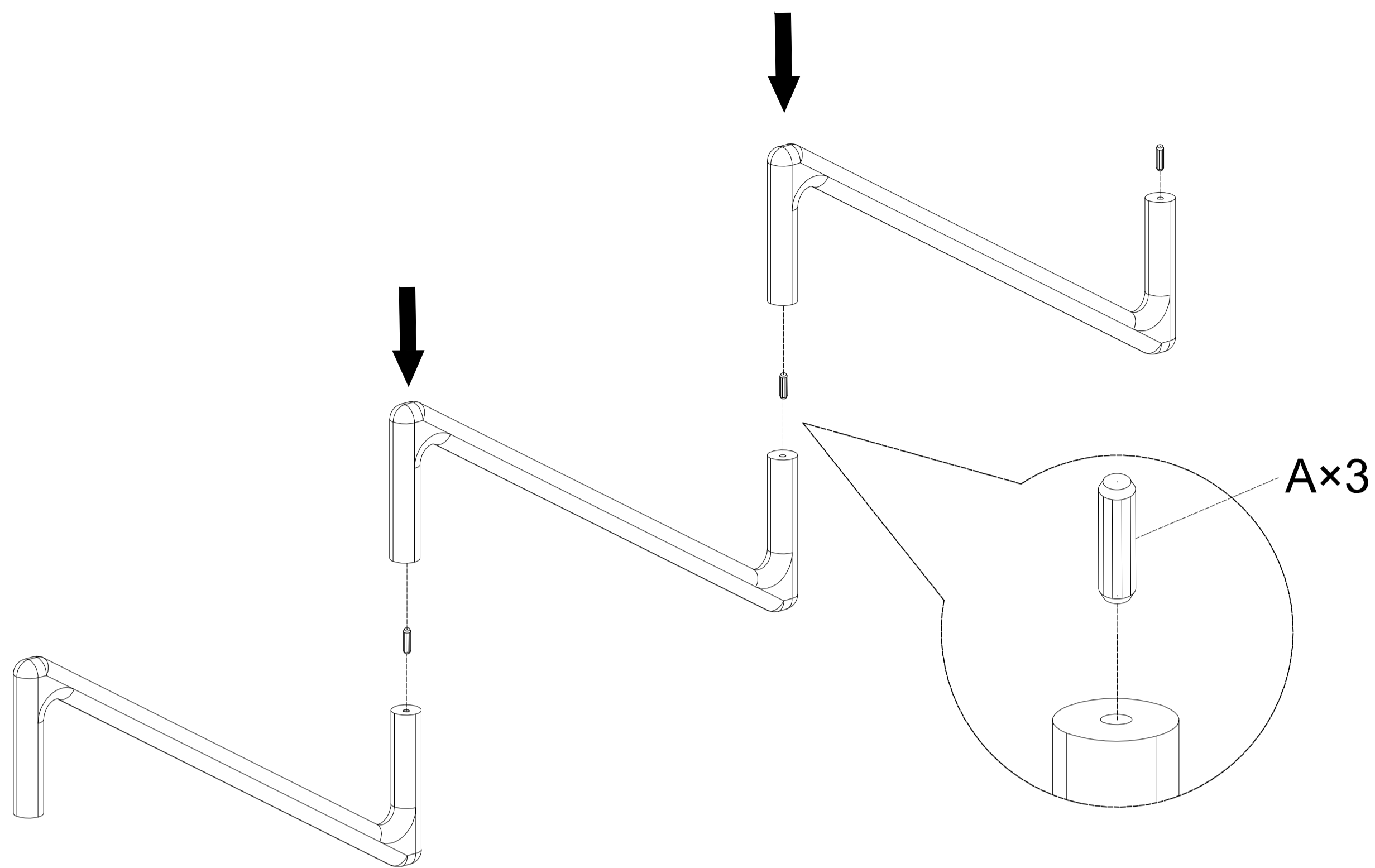
Fixtures and fittings supplied (not to scale)

Ref	Description	Dimensions	Visual	Qty
B	Footpad	∅20mm		3
C	Rubber cap	∅20mm		3

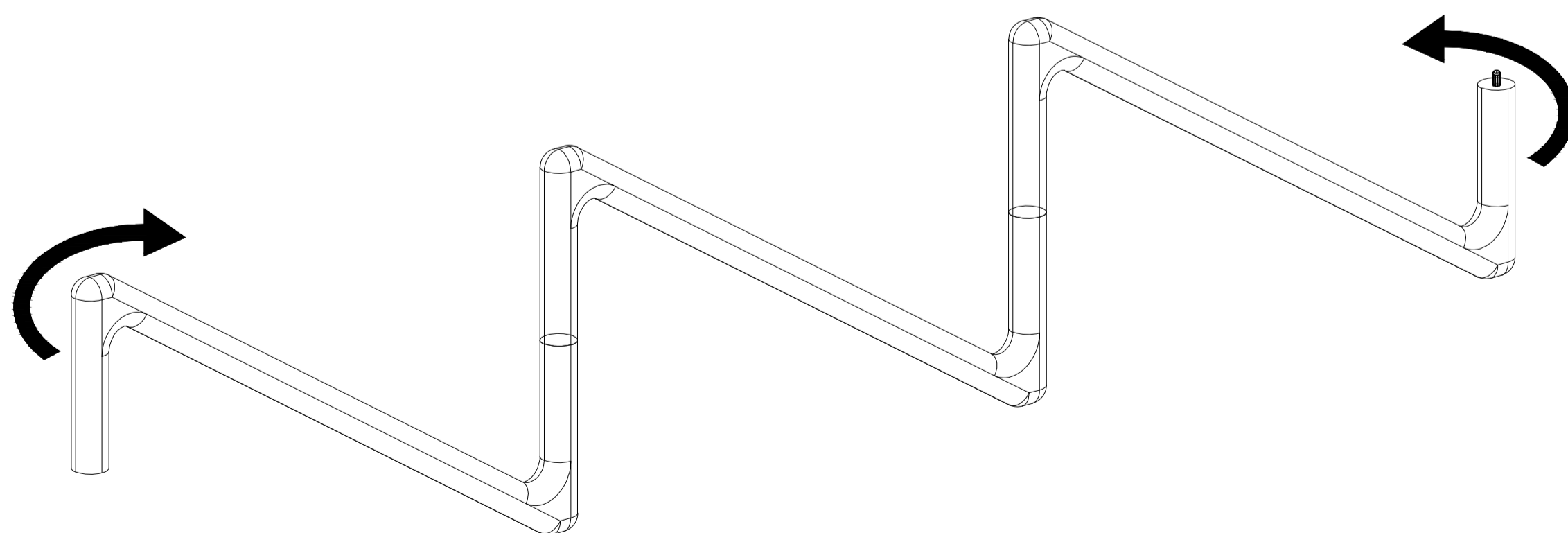
Exploded view



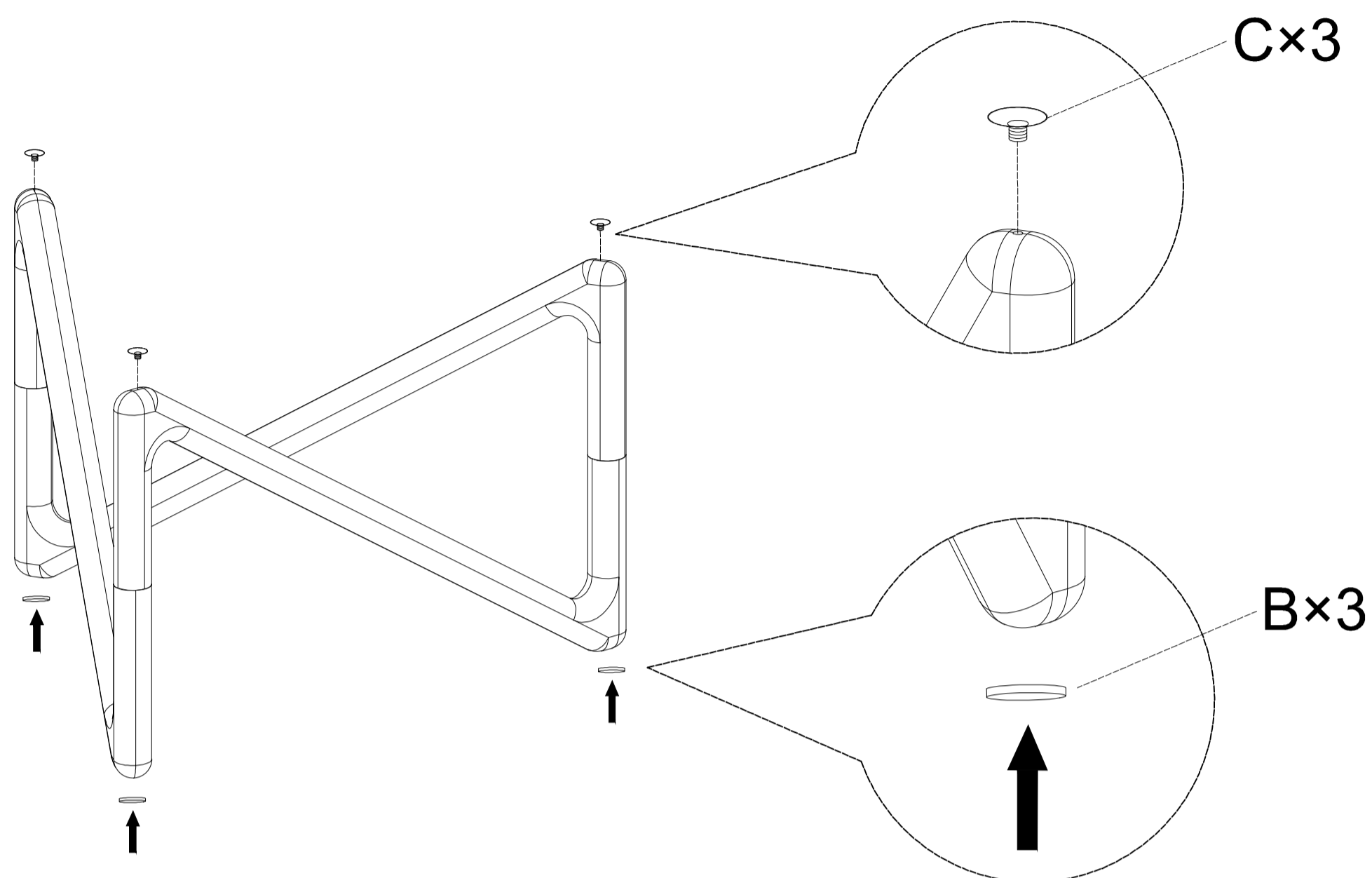
STEP 1



STEP 2



STEP 3



STEP 4

