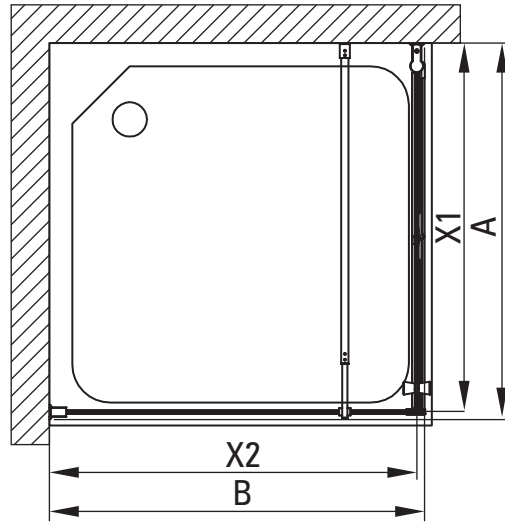
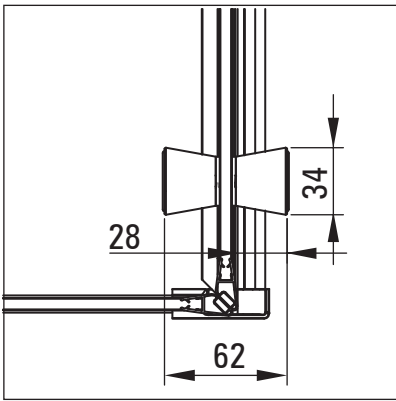
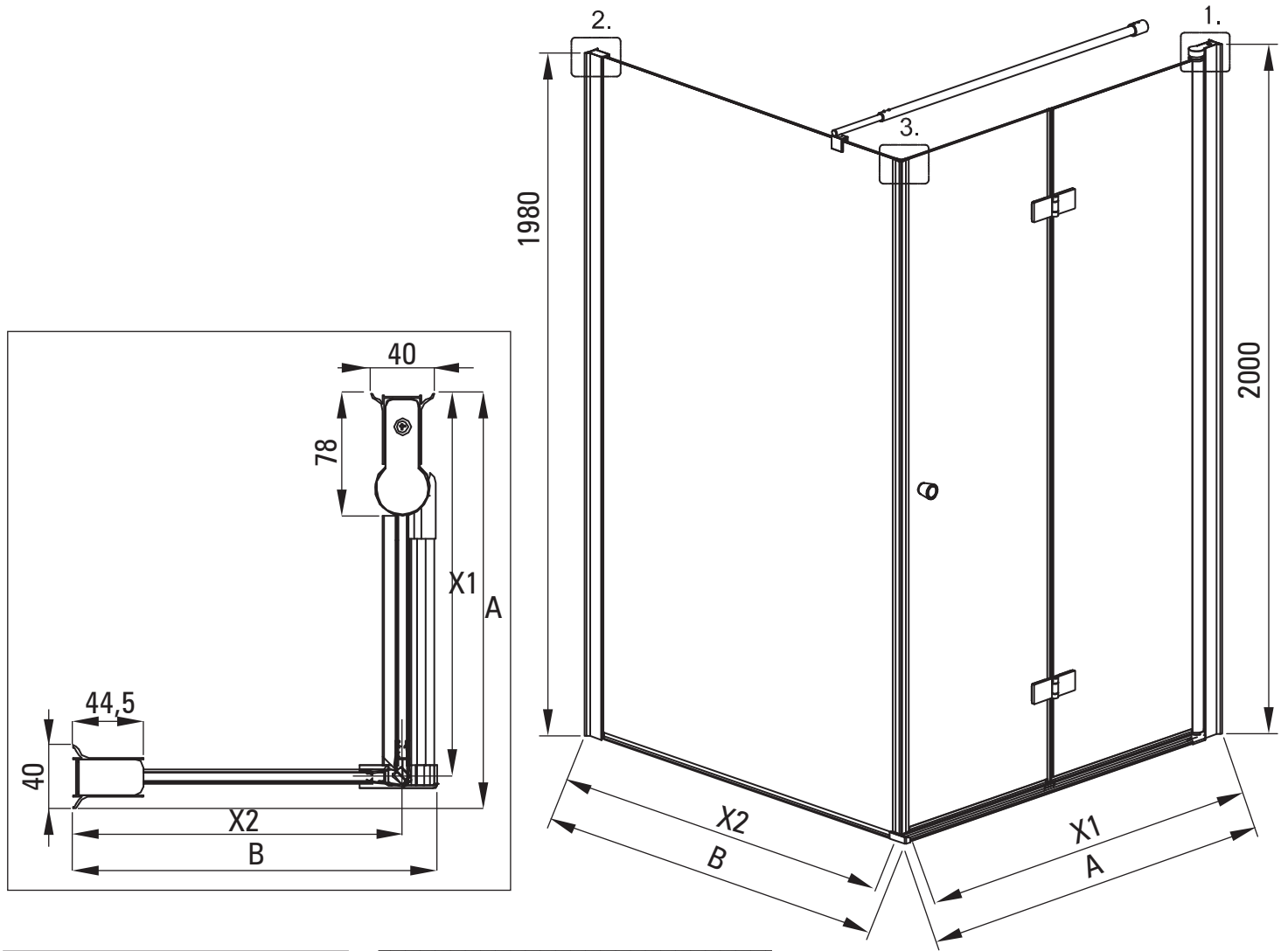
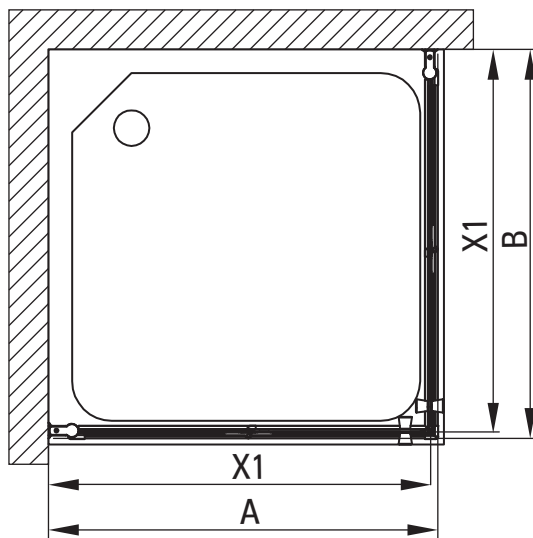
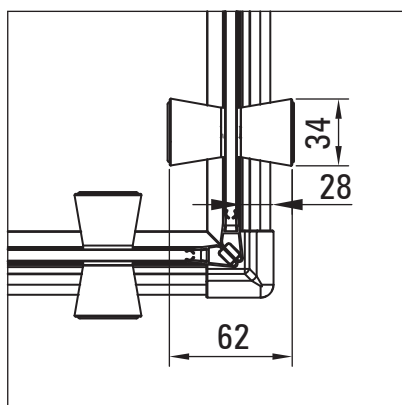
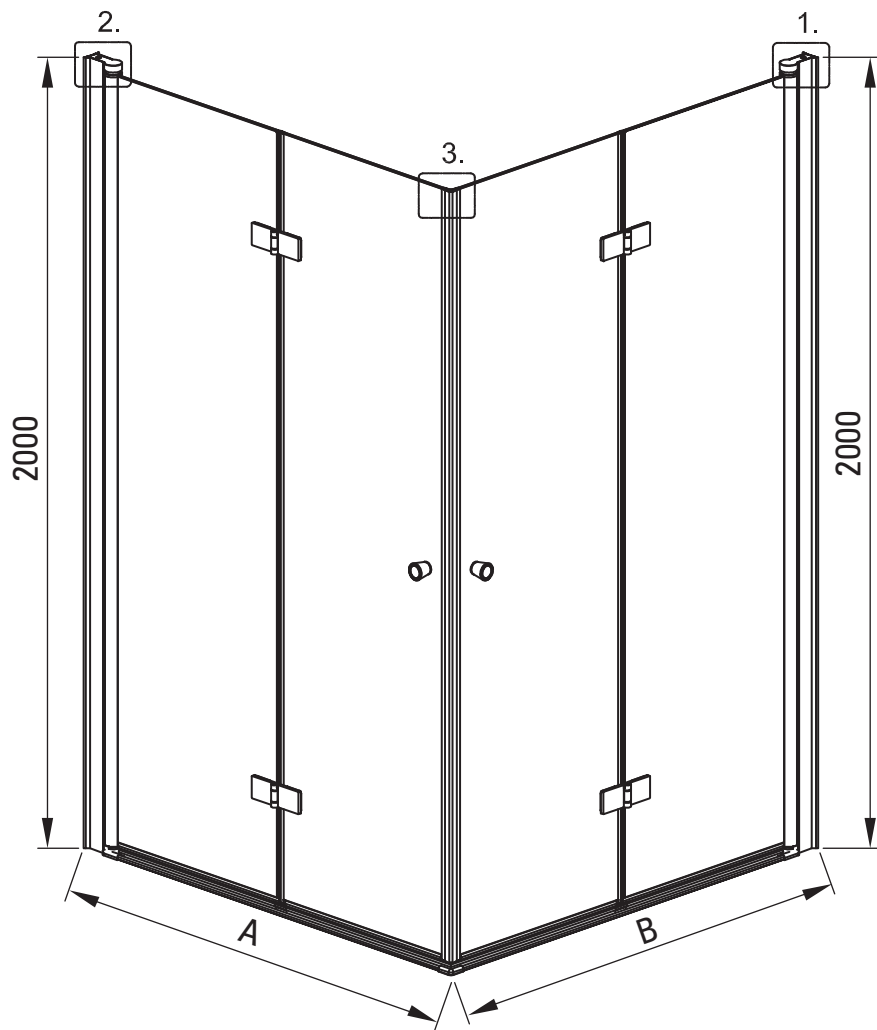
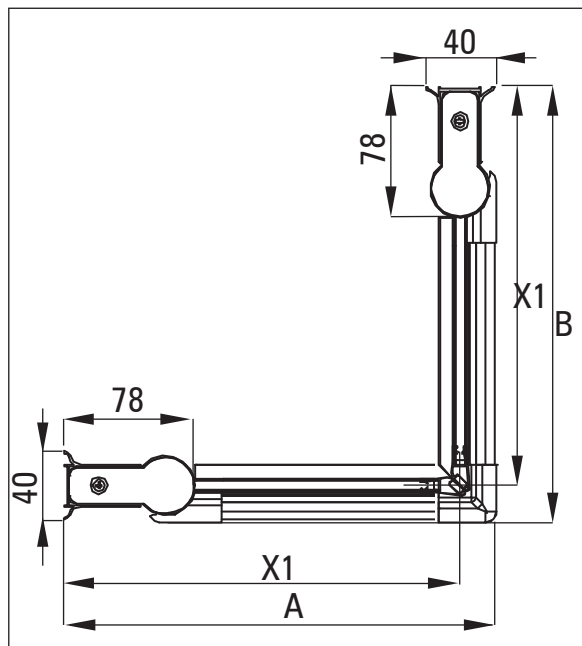


Model	Size [mm]	A [mm]
KTSXx47P + KTS_X00X	700x2000	675-700
KTSXx42P + KTS_X00X	800x2000	775-800
KTSXx41P + KTS_X00X	900x2000	875-900
KTSXx43P + KTS_X00X	1000x2000	975-1000

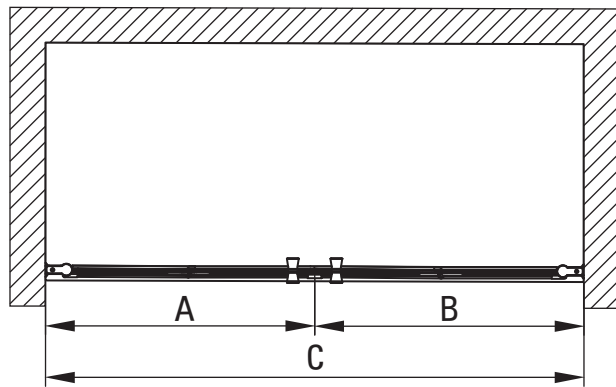
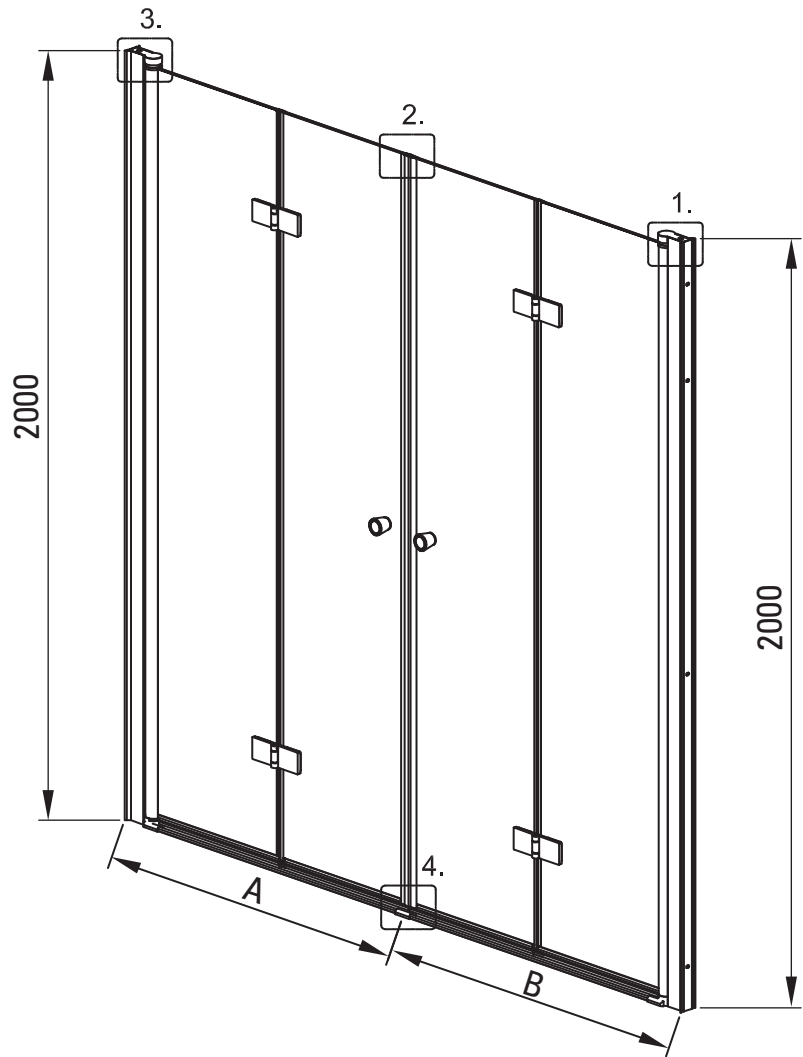
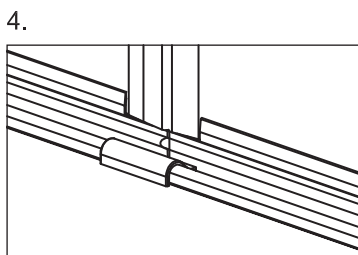
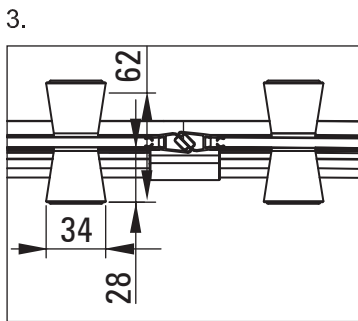
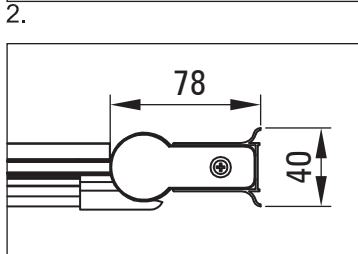
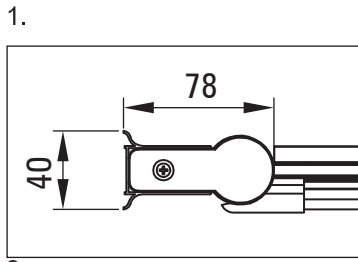


Model	Size [mm]	A [mm]	X1 [mm]
KTSXx47P	700x2000	685-700	665-680
KTSXx42P	800x2000	785-800	765-780
KTSXx41P	900x2000	885-900	865-880
KTSXx43P	1000x2000	985-1000	965-980

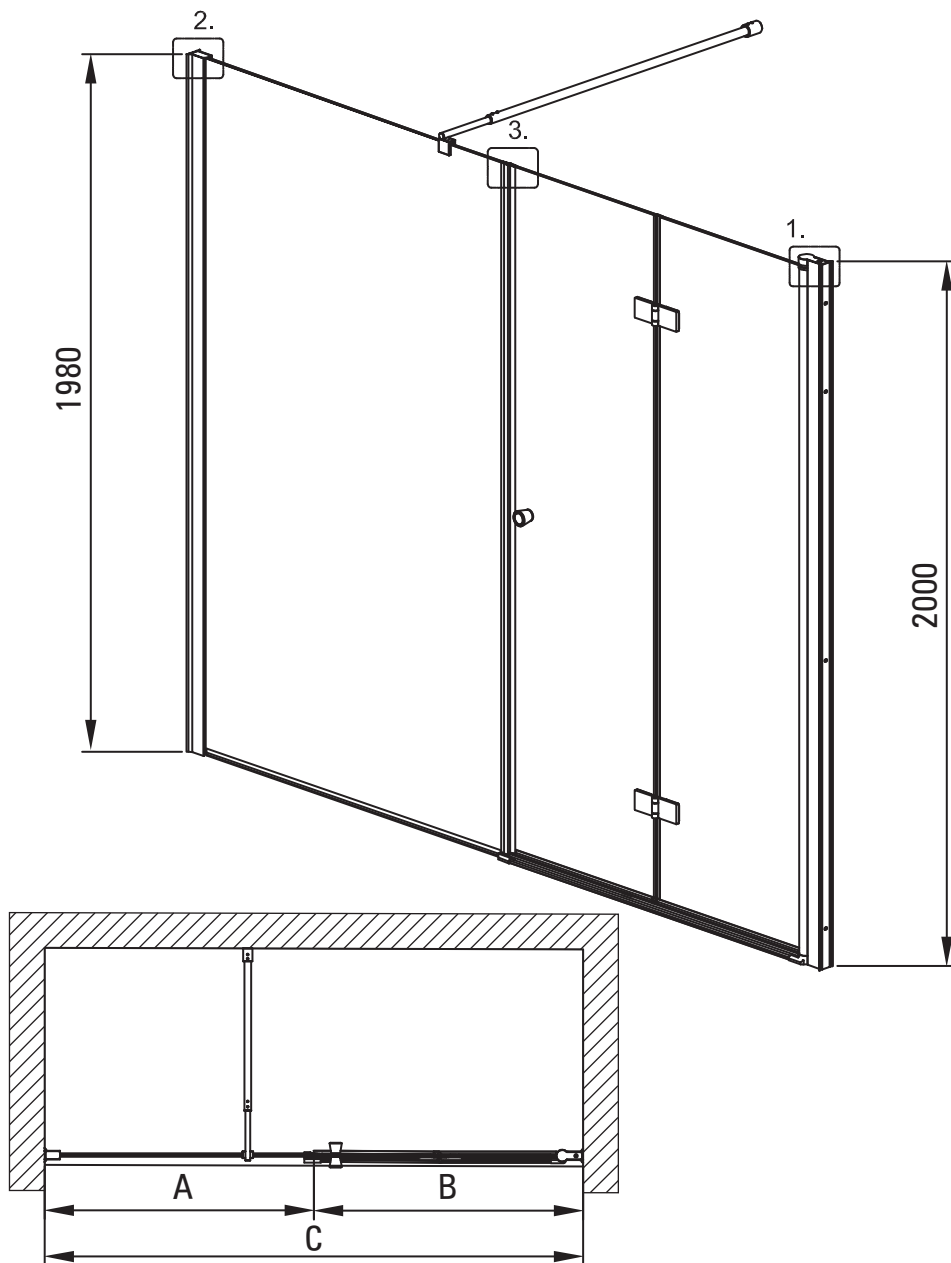
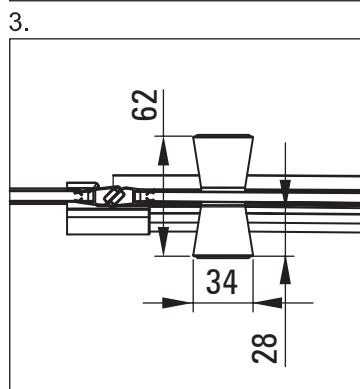
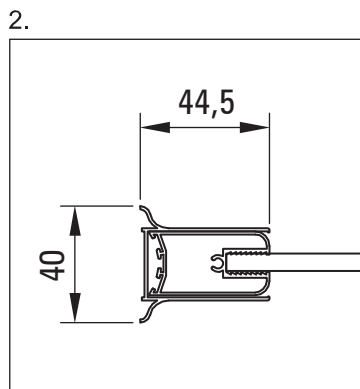
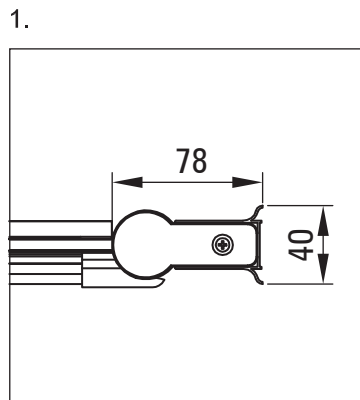
Model	B [mm]	X2 [mm]
KTS_X83P	280-300	265-280
KTS_X84P	380-400	365-380
KTS_X85P	480-500	465-480
KTS_X86P	580-600	565-580
KTS_X37P	680-700	665-680
KTS_X38P	780-800	765-780
KTS_X39P	880-900	865-880
KTS_X30P	980-1000	965-980
KTS_X31P	1080-1100	1065-1080
KTS_X32P	1180-1200	1165-1180
KTS_X34P	1380-1400	1365-1380



Model	Size [mm]	A [mm]	B [mm]	X1 [mm]
KTSXx47P	700x2000	685-700	685-700	665-680
KTSXx42P	800x2000	785-800	785-800	765-780
KTSXx41P	900x2000	885-900	885-900	865-880
KTSXx43P	1000x2000	985-1000	985-1000	965-980



Model	Size [mm]	A [mm]	B [mm]
KTSXx47P	(A+B)x2000	665-680	665-680
KTSXx42P	(A+B)x2000	765-780	765-780
KTSXx41P	(A+B)x2000	865-880	865-880
KTSXx43P	(A+B)x2000	965-980	965-980



A [mm] + B [mm] = C [mm]		Model Size			
Model	Size	KTSXx47P B= 665-685	KTSXx42P B= 765-785	KTSXx41P B= 865-885	KTSXx43P B= 965-985
KTS_X83P	A= 265-285	C= 930-970	C= 1030-1070	C= 1130-1170	C= 1230-1270
KTS_X84P	A= 365-385	C= 1030-1070	C= 1130-1170	C= 1230-1270	C= 1330-1370
KTS_X85P	A= 465-485	C= 1130-1170	C= 1230-1270	C= 1330-1370	C= 1430-1470
KTS_X86P	A= 565-585	C= 1230-1270	C= 1330-1370	C= 1430-1470	C= 1530-1570
KTS_X37P	A= 665-685	C= 1330-1370	C= 1430-1470	C= 1530-1570	C= 1630-1670
KTS_X38P	A= 765-785	C= 1430-1470	C= 1530-1570	C= 1630-1670	C= 1730-1770
KTS_X39P	A= 865-885	C= 1530-1570	C= 1630-1670	C= 1730-1770	C= 1830-1870
KTS_X30P	A= 965-985	C= 1630-1670	C= 1730-1770	C= 1830-1870	C= 1930-1970
KTS_X31P	A= 1065-1085	C= 1730-1770	C= 1830-1870	C= 1930-1970	C= 2030-2070
KTS_X32P	A= 1165-1185	C= 1830-1870	C= 1930-1970	C= 2030-2070	C= 2130-2170
KTS_X34P	A= 1365-1385	C= 2030-2070	C= 2130-2170	C= 2230-2270	C= 2330-2370