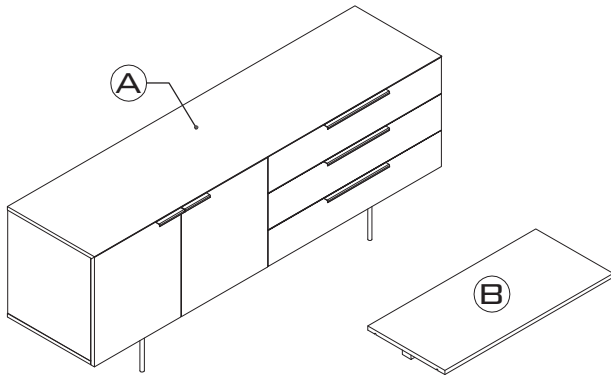


ASSEMBLY INSTRUCTIONS SIDEBOARD TRAVIS

ZUIVER^o



PARTS CHECK LIST

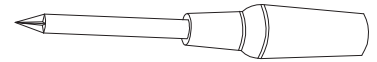
CODE	COMPONENTS	QTY
(A)	BODY	x01
(B)	SHELF	x01

HARDWARE CHECK LIST

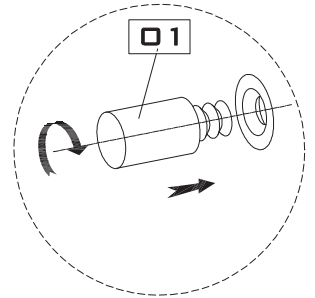
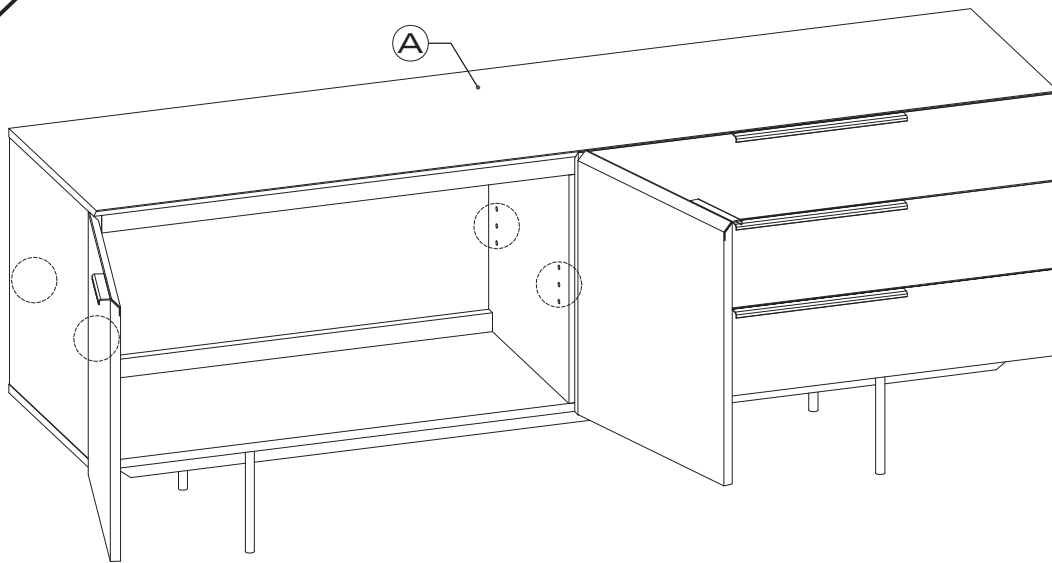
CODE	DESCRIPTION	QTY
01	SHELF PIN	x04
02	METAL BRACKET	x04
03	SCREW	x04
04	PLASTIC STRAP	x02
05	NYLON WALL STRAP	x02

- PLEASE DO NOT DISCARD ANY OF THE PACKAGING UNTIL YOU HAVE CHECKED ALL THE PARTS AND THE PACKS OF HARDWARE.
- BEFORE YOU BEGIN TO ASSEMBLE YOUR NEW PIECE OF FURNITURE, PLEASE CHECK TO ENSURE THAT ALL PARTS HAVE BEEN SUPPLIED.
- FOLLOW INSTRUCTIONS CLOSELY AS DEVIATION FROM THEM MAY VOID YOUR WARRANTY AND PRESENT A POSSIBLE SAFETY RISK.
- IT IS RECOMMENDED THAT ASSEMBLY IS DONE ON A SOFT SURFACE LIKE CARPET TO AVOID ANY DAMAGE.
- PERIODICALLY CHECK AND RE-TIGHTEN ANY FASTENERS. WIPE DOWN ALL SURFACES WEEKLY WITH A CLEAN CLOTH. DO NOT CLEAN ANY SURFACES WITH HARSH ABRASIVES OR CHEMICALS.

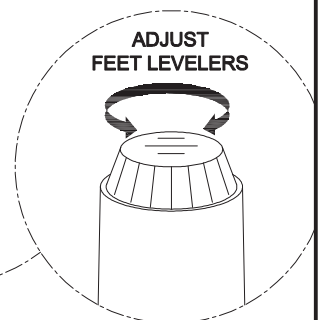
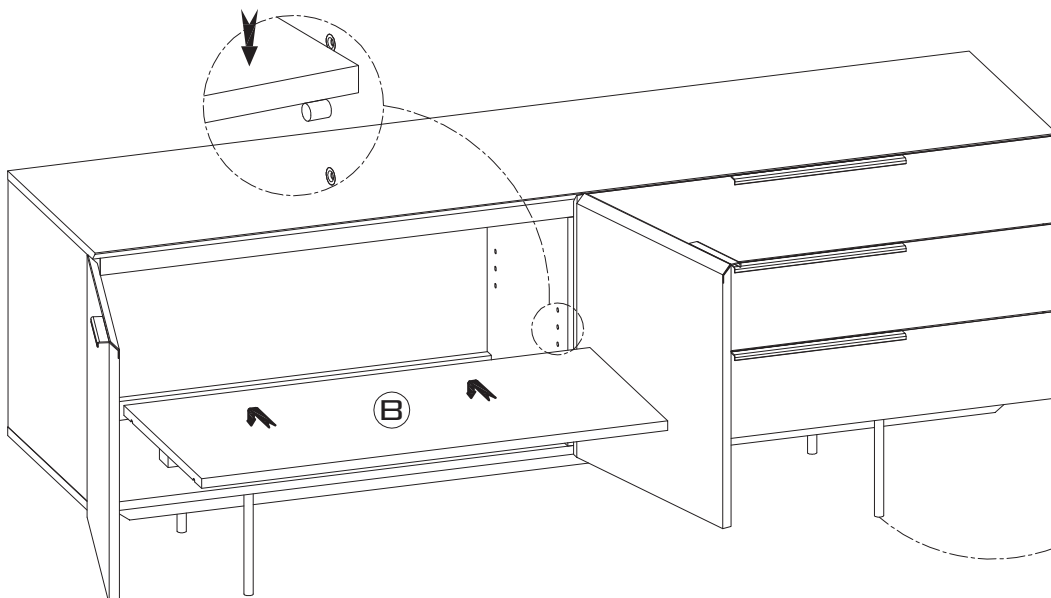
TOOLS REQUIRED
NOT SUPPLIED



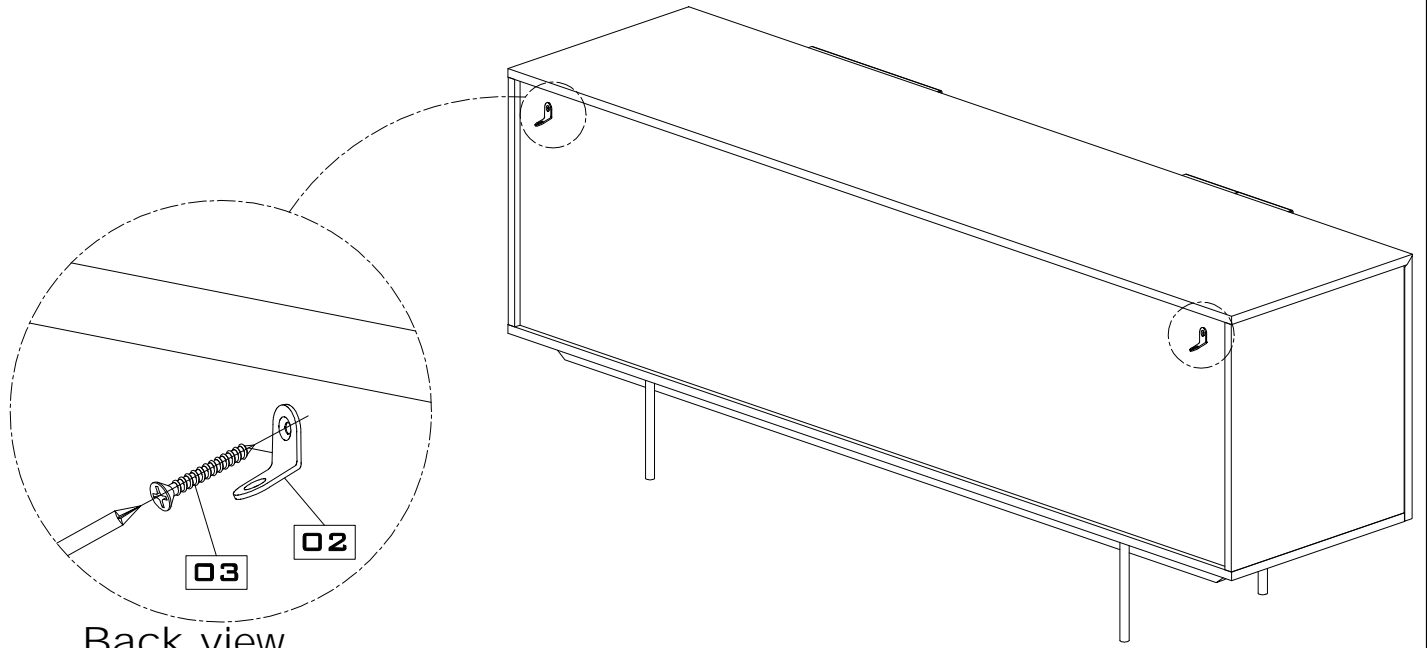
1.



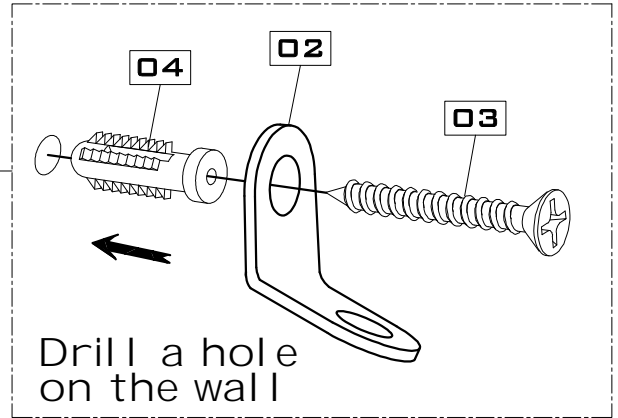
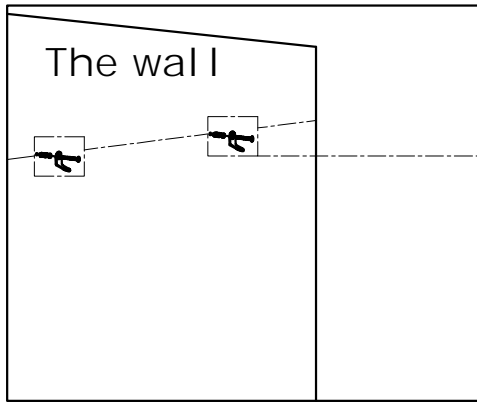
2.



3.



4.



5.

