

2x



2x

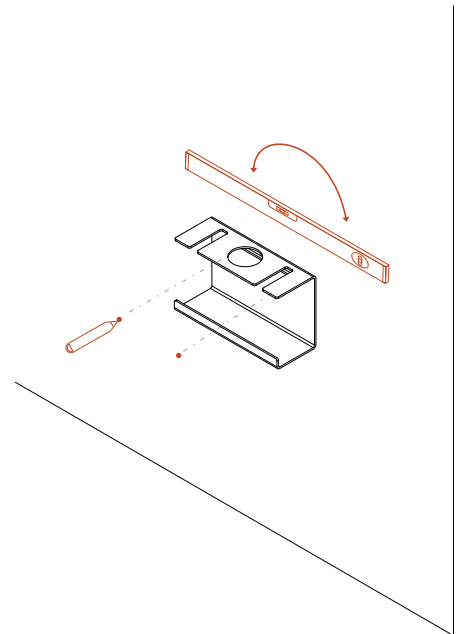


For installation, use expansion plug suitable for wall construction.

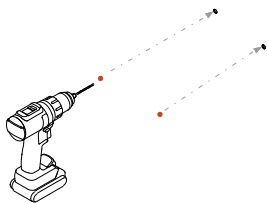
Not recommended for plaster walls.

Max. load 5kg

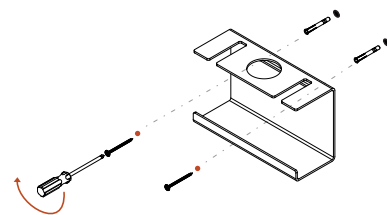
1.



2.



3.



4.

