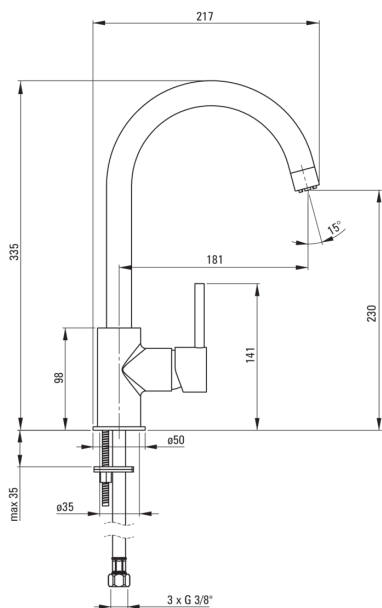


**Product code:** BEZ\_062H

**EAN:** 5908212086193

**Color:** chrome

**Warranty [years]:** 2



## Mixer

|                     |                  |
|---------------------|------------------|
| Finish              | chrome           |
| Material            | brass            |
| Mixer type          | for the heaters  |
| Installation method | standing         |
| Acoustic group [db] | II (20 < x ≤ 30) |

## Mixer cartridge

|                        |       |
|------------------------|-------|
| Ceramic cartridge size | 35 mm |
|------------------------|-------|

## Spout

|                        |        |
|------------------------|--------|
| Spout type             | swivel |
| Mixer spout range [mm] | 183    |
| Material               | brass  |

## Aerator

|              |       |
|--------------|-------|
| Aerator type | other |
| Aerator size | M24   |

## Connecting hose

|                     |      |
|---------------------|------|
| Length [mm]         | 500  |
| Installation thread | 3/8" |
| Connection thread   | M8   |

## Features:

- The mixer body is made of the highest quality brass
- The mixer is equipped with a stream aerator
- The mixer dedicated to a water heater
- The set includes 3 pieces of hoses 50 cm, M8x3/8"
- Only the best materials, the quality of which has been confirmed by laboratory tests
- The offer includes a cleaning agent for fixtures in all colors