

# EVORA

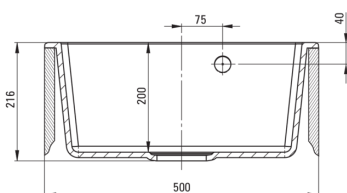
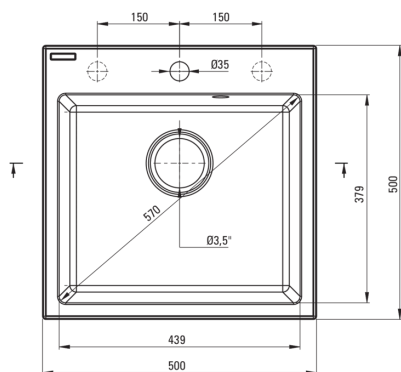
## Granite sink, 1-bowl

Product code: ZQJ\_A103

EAN: 5907650816737

Color: alabaster

Warranty [years]: 18



### Sink

Finish	alabaster
Surface type	matte
Material	granite
Installation method	inset
Number of bowls	1
Minimum cabinet width [mm]	500
Width [mm]	500
Length [mm]	500
Height [mm]	216
Bowl depth [mm]	200
Cut-out length [mm]	480
Cut-out width [mm]	480
Equipped with accessories	Yes
Number of holes	1
Number of pre-drilled holes	2

### Sink waste kit

Finish	steel
Plug type	automatic
Low siphon/ space saver	Yes
Possibility to connect a dishwasher/ washing machine	Yes

### Features:

- Properties of Deante granite: resistance to impact, high temperature, discoloration, thermal shock
- Longest, 18 years warranty
- The sink is equipped with fittings with a connection to the dishwasher
- Accessories with automatic shut-off of the drain
- Hydrophobic properties repel water molecules
- The exceptionally spacious and deep bowl will even accommodate trays taken out of the oven
- Additional milled holes for mounting a dispenser or other accessories
- Dedicated cleaning agent, safe for cleaned surfaces
- Space-saving siphon which facilitates e.g. sorting waste
- The finish enriched with silver ions adds antiseptic properties