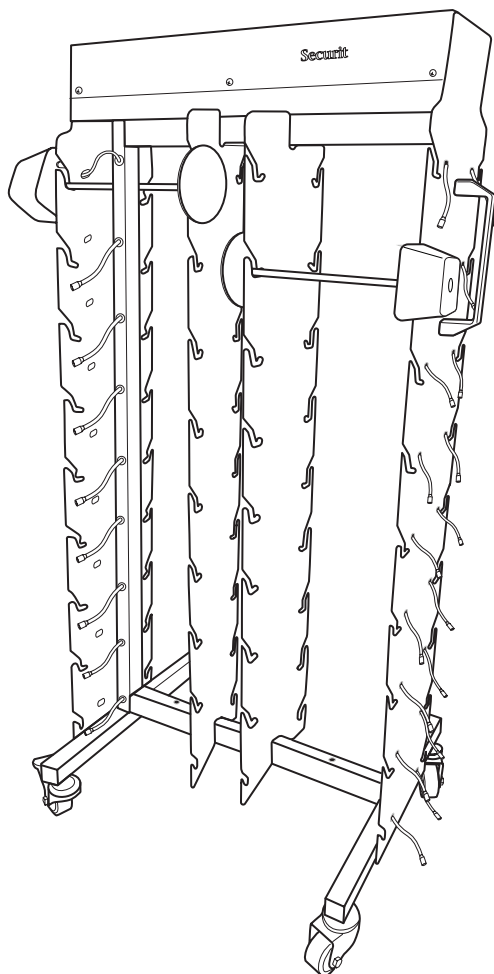


Instructions

DE Anweisungen | ES Instrucciones | FR Instructions

IT Istruzioni | NL Instructies | PT Instruções



Charging Trolley EN

Charging Trolley DE

Charging Trolley ES

Charging Trolley FR

Charging Trolley IT

Charging Trolley NL

Charging Trolley PT

Trolley
LP-TRO-36

Included

DE Inklusive

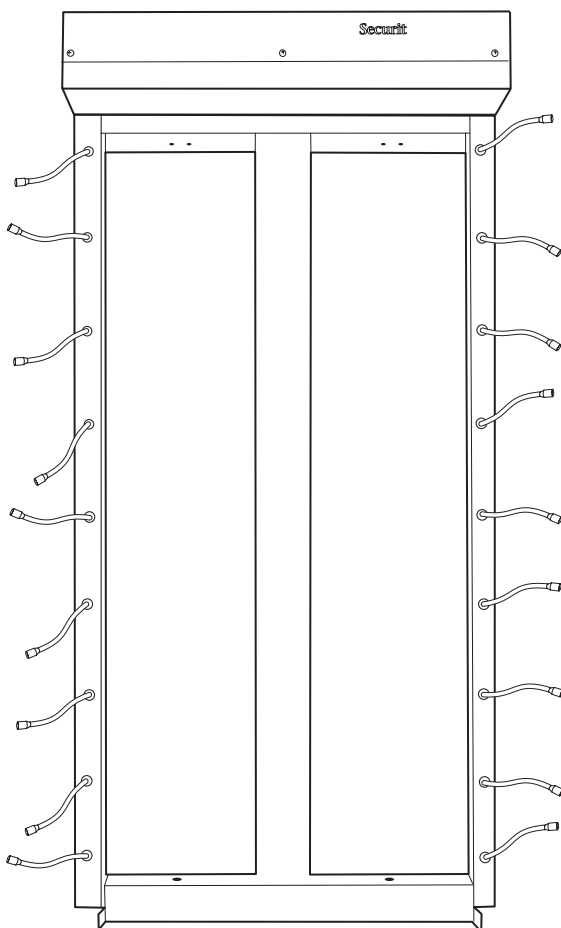
ES Incluye

FR Inclus

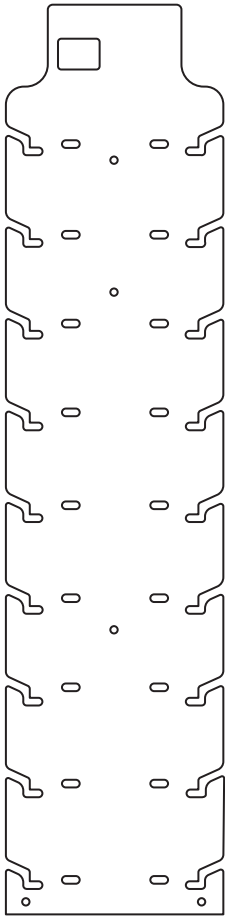
IT Incluso

NL Inbegrepen

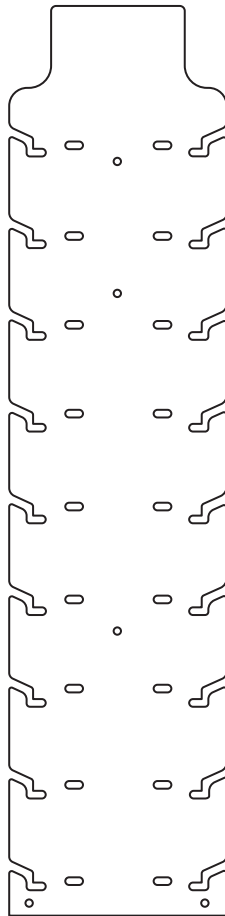
PT Incluído



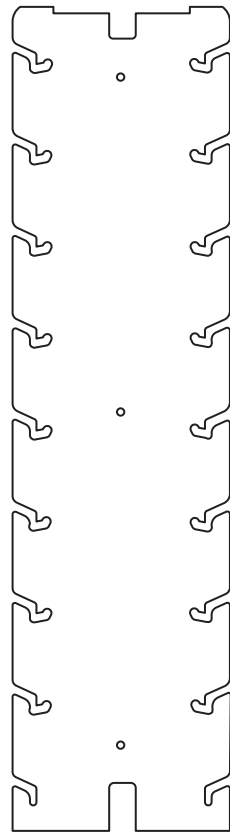
1x Frame



1x Plastic Plate Type A

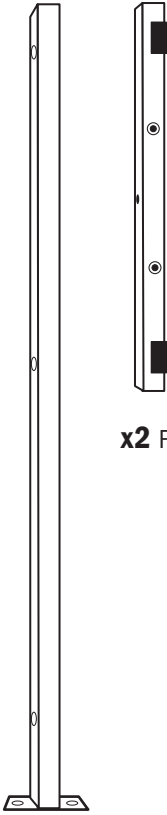


1x Plastic Plate Type B

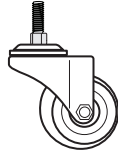


2x Plastic Plate Type C

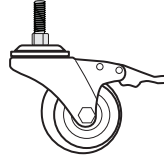
Securit®



x2 Feet



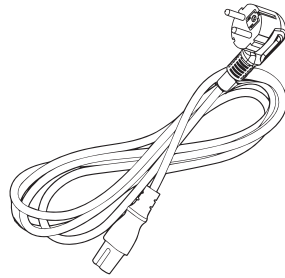
x2 Wheels w/o break



x2 Wheels w/ break

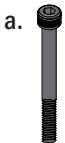


x2 Handles



x1 Power Cable

x2 Middle Bars



a.

x2 Long socket bolts (black)



b.

x2 Medium countersunk bolts (silver)



c.

x4 Small star bolts (silver)



d.

x16 Short countersunk bolts (black)



e.

x4 Rings



f.

x4 Washers

Tools

DE Werkzeuge

ES Herramientas

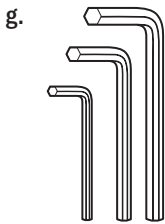
FR Outils

IT Strumenti

NL Gereedschap

PT Ferramentas

Included:

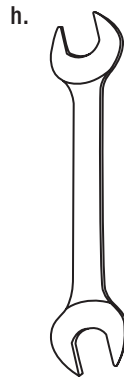


x3 Allen keys

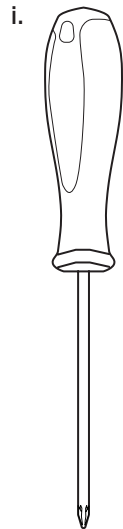
Optional:

* Use **h.** for STEP 2
(not included)

* Use **i.** for STEP 7
(not included)

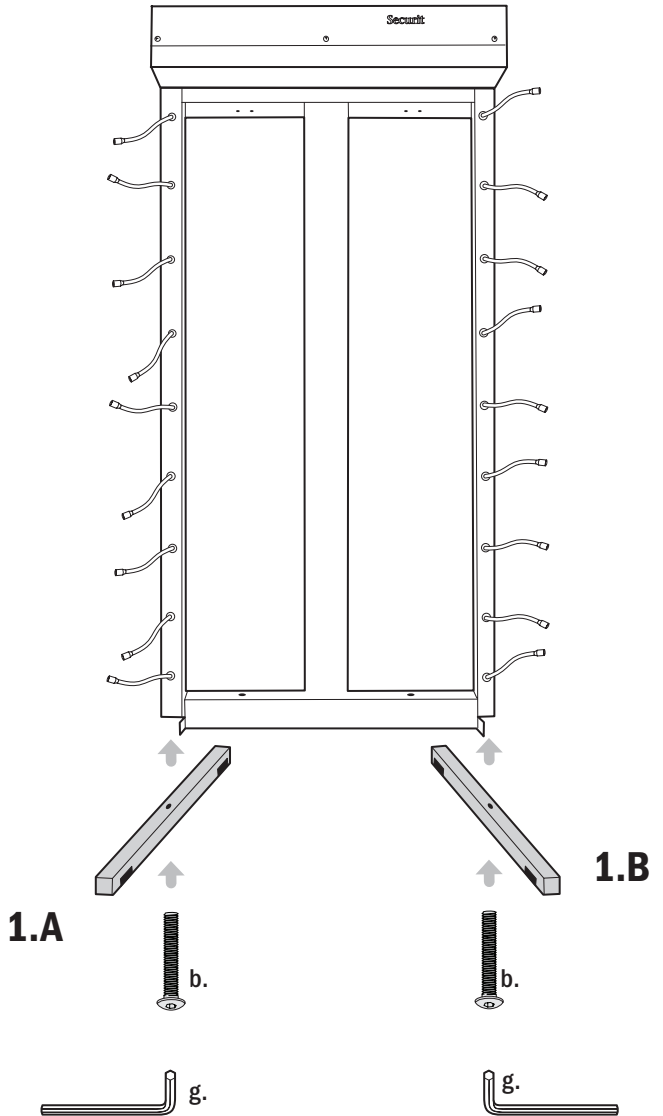


x1 Key Spanner



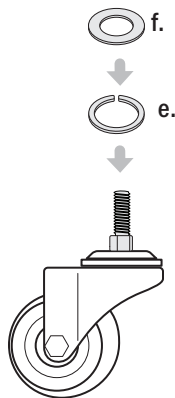
x1 Star Screwdriver

1. Feet

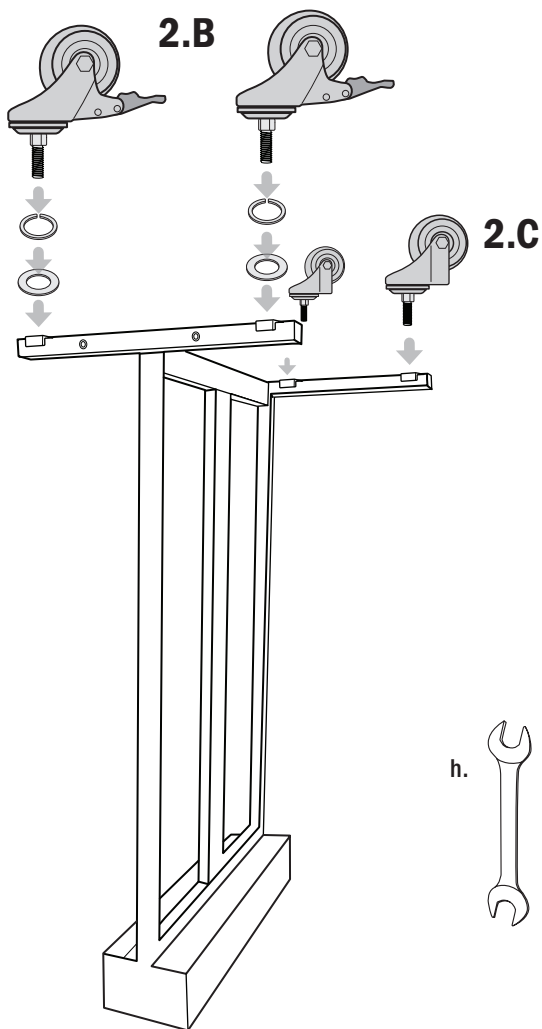


2. Wheels

2.A



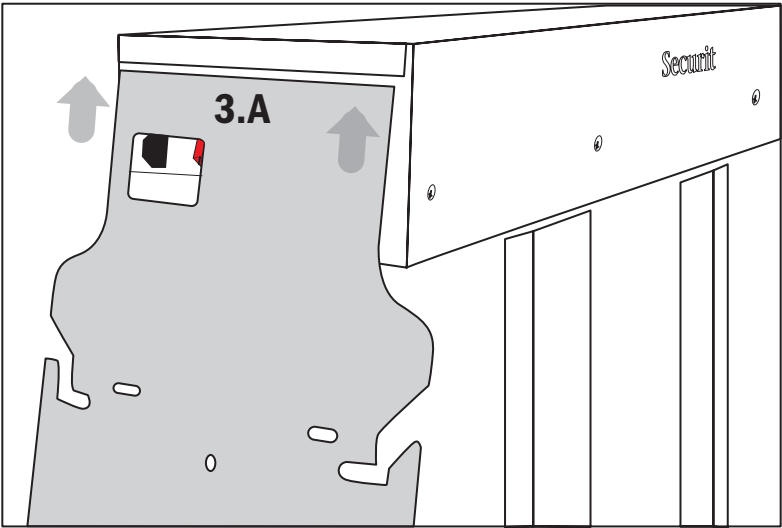
2.B

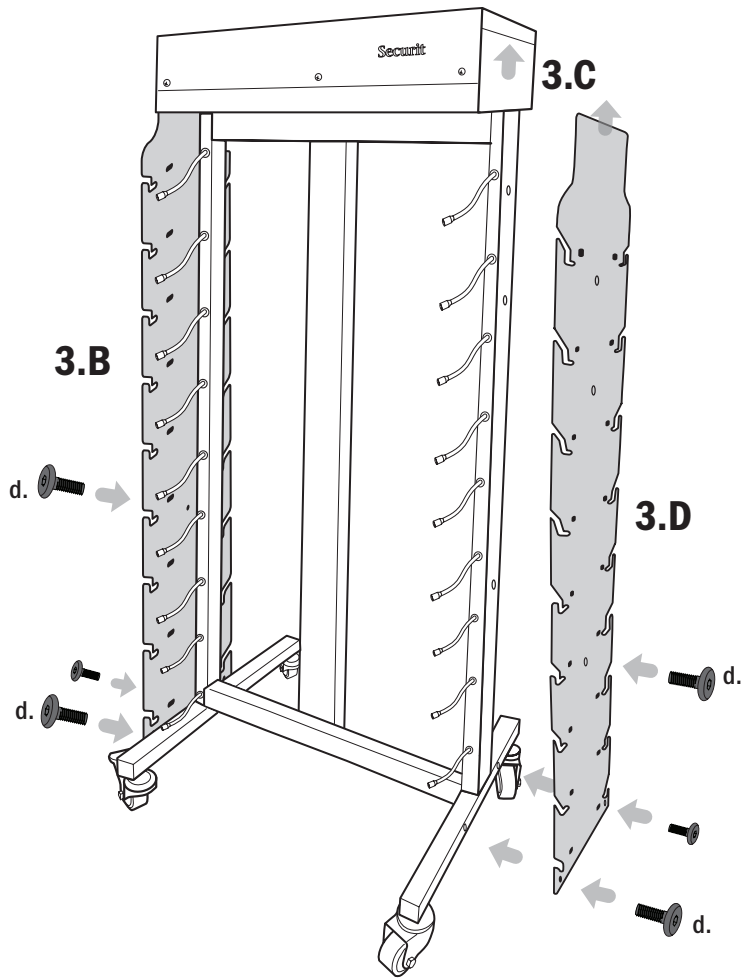


h.

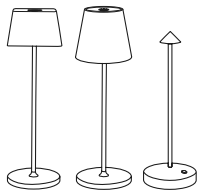
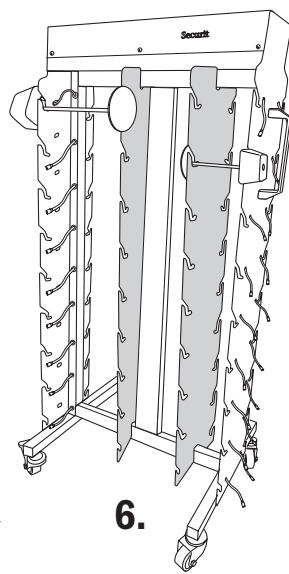
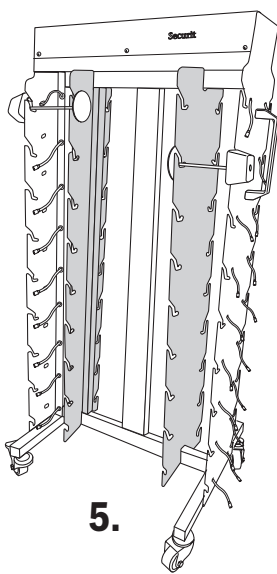
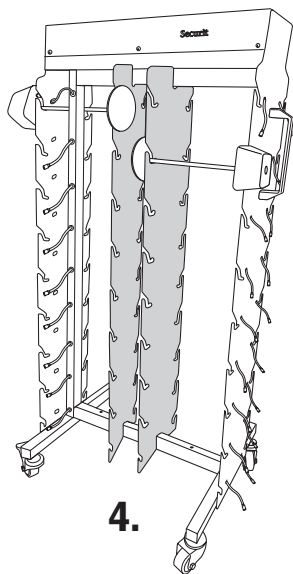


3. Side Plates





Setup Options 4. / 5. / 6.



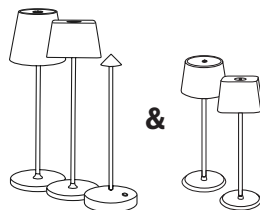
Long Lamps

- * LP-GE-BL | LP-GE-WT
- * LP-FE-BL | LP-FE-WT
- * LP-AN-BL | LP-AN-WT



Mini Lamps

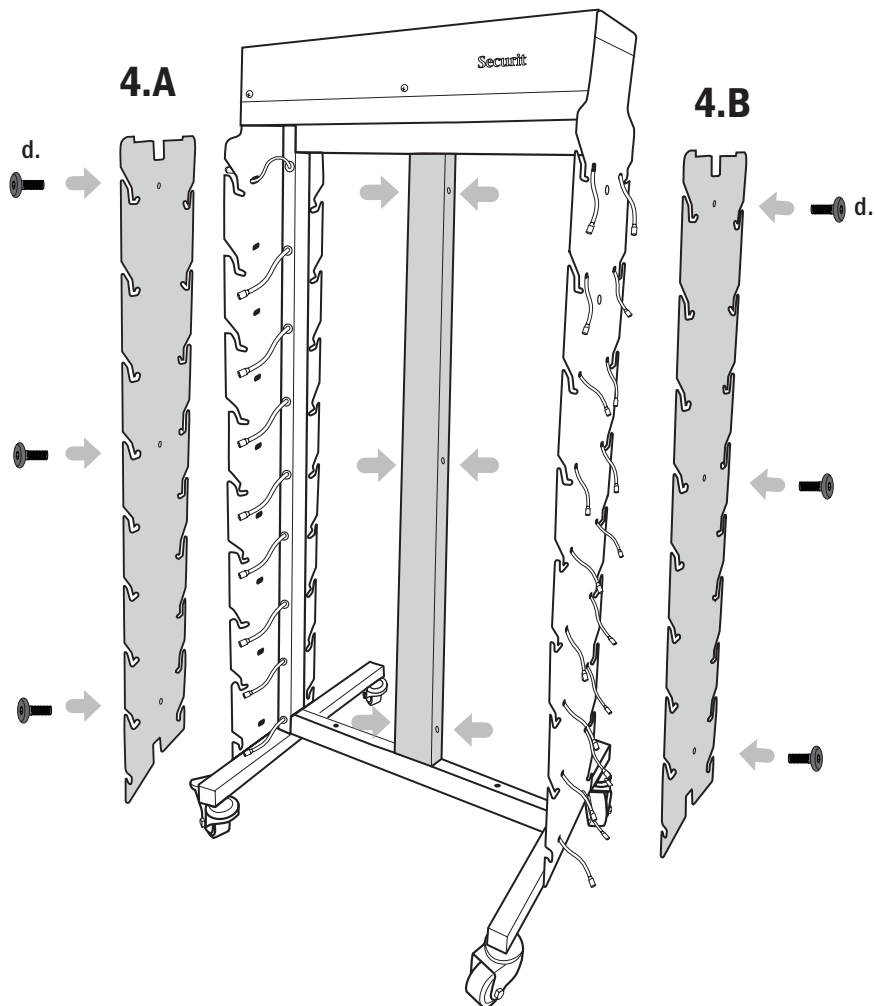
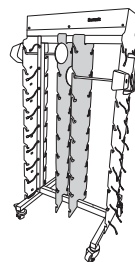
- * LP-MC-BL | LP-MC-WT
- * LP-MT-BL | LP-MT-WT



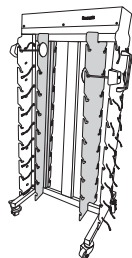
Mixed Lamps

- * LP-GE-BL | LP-GE-WT
- * LP-FE-BL | LP-FE-WT
- * LP-AN-BL | LP-AN-WT
- * LP-MC-BL | LP-MC-WT
- * LP-MT-BL | LP-MT-WT

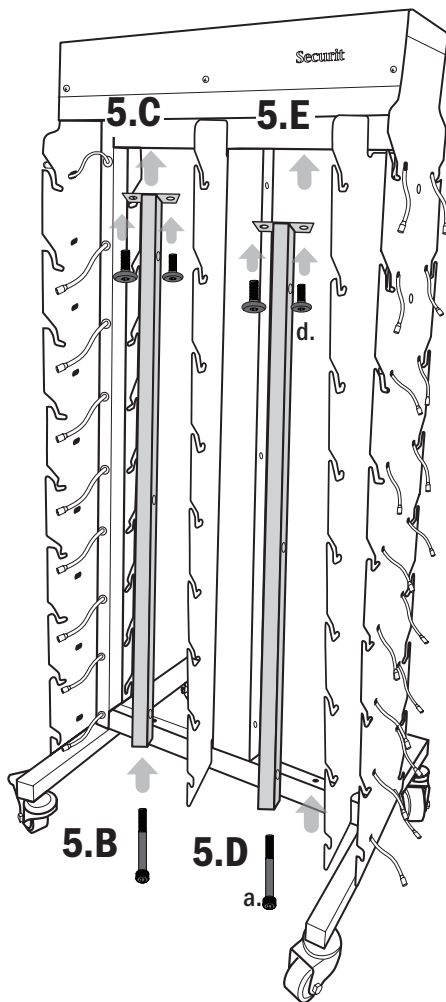
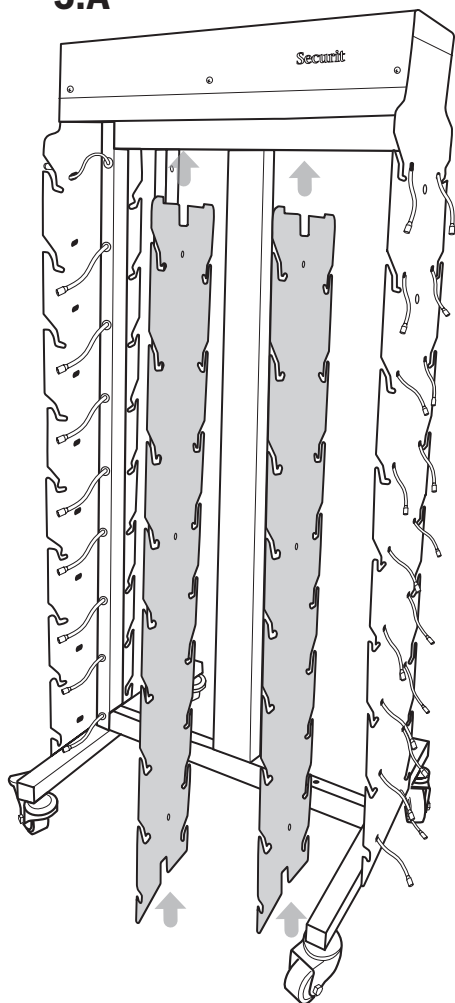
4. Long Lamps Setup

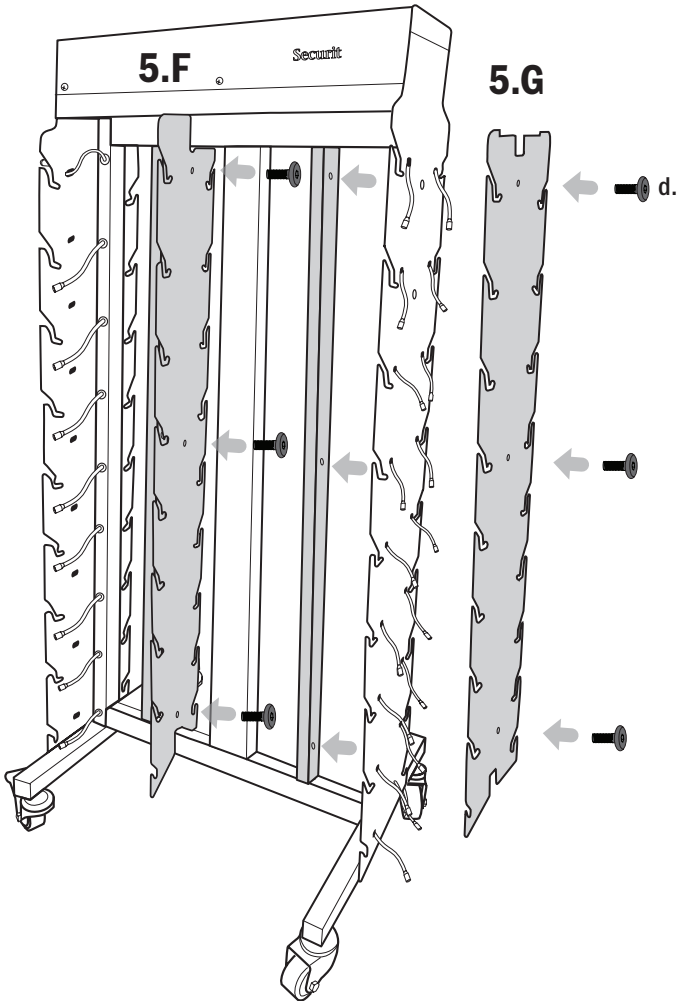


5. Mini Lamps Setup

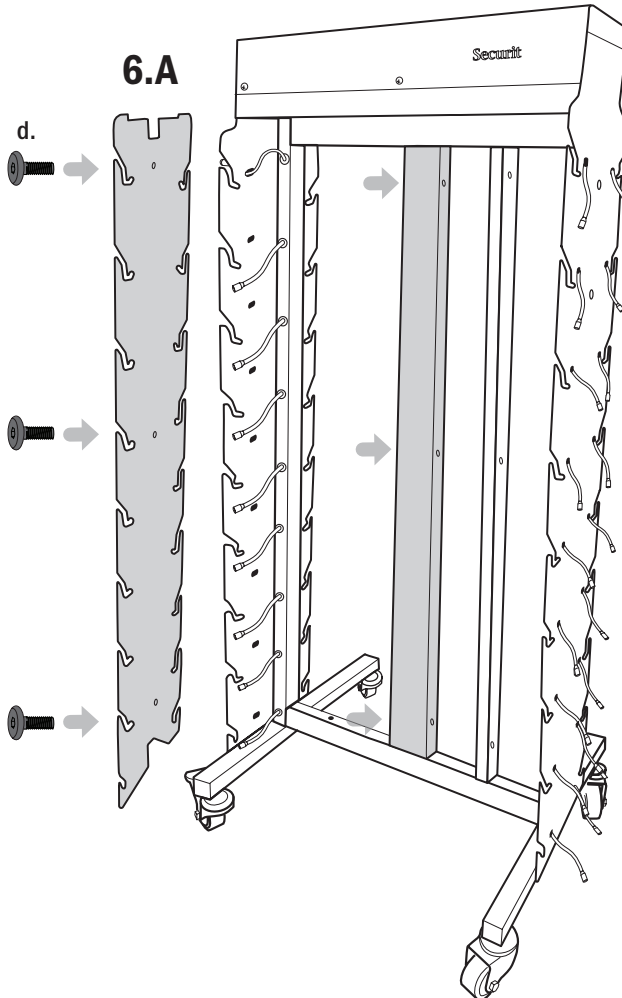
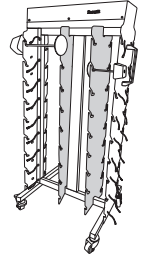


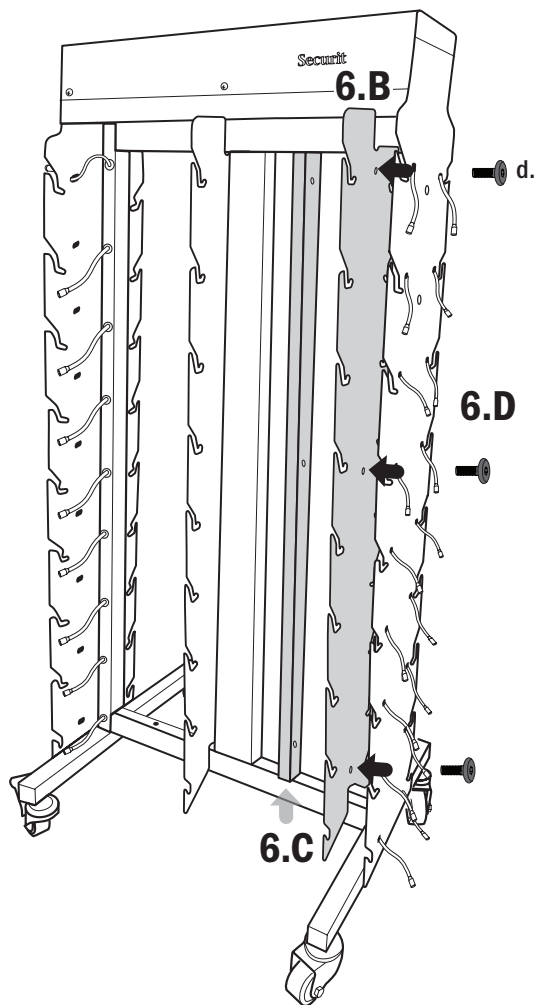
5.A



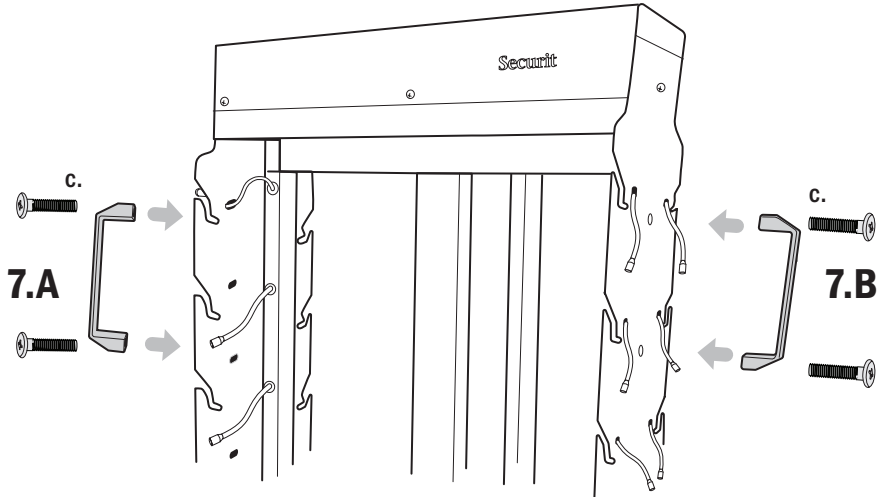


6. Mixed Lamps Setup

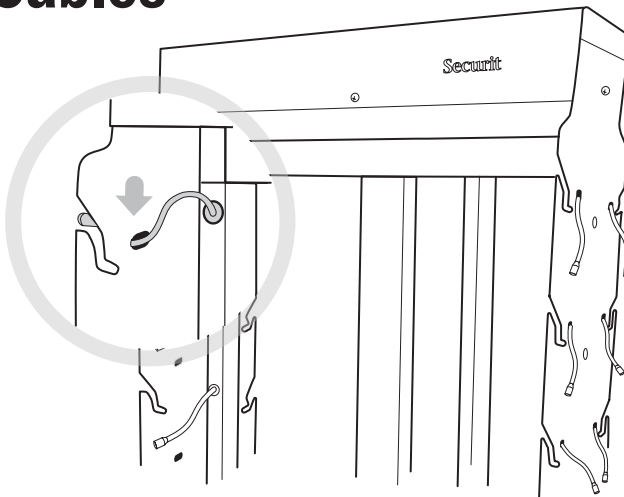




7. Handles



8. Cables



1. Feet

Attach both short bars (feet) at the bottom of the frame. Use the 2 medium silver countersunk bolts. (b.)

Pay attention to the holes to identify the correct position of the bars.

- * Side with only one hole in the middle faces up.
- * Side with two holes faces the outside of the frame.

Tip:

It's easier to attach the bottom bars laying the frame on the floor first.

2. Wheels

Put the trolley upside down to attach the wheels.

Attach each wheel, adding first the rings (e.) and washers (f.).

Important:

- * Make sure the 2 wheels with brakes are mounted on the side of the power button (note the square hole in the plastic plate).
- * For easy of assembly: put the brakes on after mounting the wheels.

3. Side Plates

3.A Attach first the **Type A** plate to the frame, connecting the top of the plate into the metal box, on the side of the power button. Pay attention to the holes and shape to identify the right plates.

3.B Bolt the **Type A** plate using the short black countersunk bolts. (d.)

3.C Attach the **Type B** plate to the frame, connecting the top of the plate into the metal box.

3.D Bolt the **Type B** plate using the short black countersunk bolts. (d.)

4. Long Lamps Setup

4.A Bolt one of the **Type C** plate to the left side of the center bar using the short black countersunk bolts. (d.)

4.B Bolt the other **Type C** plate to the right side of the center bar using the short black countersunk bolts. (d.)

5. Mini Lamps Setup

5.A Connect the two **Type C** plates to the frame using the cutouts.

5.B Bolt **left middle bar** to the bottom of the frame using the long black socket bolt. (a.)

5.C Bolt **left middle bar** to the top of the frame (check for the holes on it) using the short black countersunk bolts. (d.)

5.D Repeat step 5.B for **right middle bar**.

5.E Repeat step 5.C for **right middle bar**.

5.F Bolt one of the **Type C** plate to the left middle bar using the short black countersunk bolts. (d.)

5.G Bolt the other **Type C** plate to the right middle bar using the short black countersunk bolts. (d.)

6. Mixed Setup

6.A Bolt one of the **Type C** plate to the left side of the center bar of the frame using the short black countersunk bolts. (d.)

6.B Connect the **Type C** plate to the frame using the cutouts.

6.C Bolt the **middle bar** to the bottom and top of the frame (see steps 5.C and 5.D)

6.D Bolt the **Type C** plate to the middle bar using the short black countersunk bolts. (d.)

Tip:

It's easier to connect the plastic plates and bolt the middle bars laying the frame on the floor first.

7. Handles

7.A Bolt **left handle** to the side plastic plate using the small star silver bolts. (c.)

7.B Bolt **right handle** to the side plastic plate using the small star silver bolts. (c.)

8. Cables

Finalize the cables by pulling them through the holes in the side plastic plates, so they will always stay in place.

EN

Safety :

HANDLING

Handle your Trolley with care. You may damage it if you disassemble, drop, bend, burn, crush or puncture it. Do not use

a Trolley with a damaged enclosure, damaged or bent plug blades or other form of physical damage. Using a damaged Trolley may cause overheating or injury. Do not expose your charger to liquids, which can cause a short circuit and overheating. Stop using your Trolley if it gets wet. Do not attempt to dry it using an external heat source. Do not use the Trolley outside or in wet locations, such as near a sink, bathtub or shower enclosure. Never touch the Trolley with wet hands.

The Trolley is designed to work best in ambient temperatures between 0° and 40°C, and should be stored between ambient temperatures of 0° and 40°C. Keep your Trolley away from heat sources and out of direct sunlight. If your device becomes too hot, disconnect it from its power source if it is plugged in, move it to a cooler place and do not use it until it has cooled. Your Trolley is designed to work best at an altitude of up to 3,000 m.

This Trolley is designed to charge and store associated light devices with an appropriate battery and voltage, and energy consumption (expressed in Watts). Make sure that the Trolley and the associated light devices that are plugged into it are well ventilated when in use or charging. Using damaged cables or connectors, or charging when moisture is present, can cause fire, electric shock, injury or damage to your Trolley, or the light devices or other property. When charging your light devices, avoid charging your device in direct sunlight.

POWERING OTHER DEVICES

This Trolley is designed to work with associated light devices only. Make sure that your Trolley and the associated light devices that are plugged into are well ventilated when in use or charging. Using damaged cables or charging when moisture is present, can cause fire, electric shock, injury or damage to your device, the associated light devices or other property. When using your Trolley, make sure that it is plugged into a socket near your Trolley and is easily accessible. Avoid using your Trolley in direct sunlight.

When disconnecting the Trolley from a power socket, pull on the Trolley, never on the cable. Do not twist or pinch the power cable or USB cables, and do not force a connector into a port.

PROLONGED HEAT EXPOSURE

The Trolley generates heat during normal operation of the charging process and complies with applicable surface-temperature standards and limits. Avoid prolonged, direct or indirect skin contact when the device is in use or charging because exposing skin to hot surfaces for a long period of time may cause discomfort or burns. Do not sleep on or with your Trolley while it is operating or cover it with a blanket or pillow or any clothes or other items. Be aware of this issue if you have a physical condition that affects your ability to detect heat against your skin.

CHILD SAFETY

This device is not a toy. Your Trolley may contain (or may come with) small parts, plastic elements and parts with sharp edges or corners that may cause an injury or create a choking hazard. Children have strangled on cords and cables. Keep the Trolley's cords and cables out of the reach of children (more than 0.9 metres and do not allow them to play with the Trolley). They could hurt themselves or others, or could accidentally damage the Trolley. Consult a doctor immediately if small parts are swallowed.

The Trolley can be moved manually. Do not move the Trolley on unstable or non-equal surfaces, to avoid possible damage of improper functioning. When the Trolley is put at his place, ensure it is on a stable and even and dry surface. Put the 2 wheels with a break into the break stand, to ensure stability and to avoid any movements.

DISPOSAL, TRANSPORTATION & HANDLING

Dispose of your Trolley in accordance with local regulations. Do not dispose of it in normal household waste. Improper disposal may lead to fire, explosion and/or other hazards. Do not open, crush, heat above 45°C or incinerate.

ENVIRONMENTAL RESTRICTIONS

To prevent damage to your Trolley's parts or internal circuits, do not use or store it in dusty, smoky, damp or dirty environments. Keep it away from heat sources and out of direct sunlight.

EXPLOSIVE ATMOSPHERES

Do not use your Trolley where flammables or explosives are stored. Do not use it where blasting operations are in progress, or in potentially explosive atmospheres, such as in areas where the air contains high levels of flammable chemicals, vapours or particles (such as vapor, steam, grain, dust or metal powders). Sparks in such areas could cause an explosion or fire resulting in bodily injury or even death. Observe all notices and signs where these hazards might exist.

OPTIMAL USAGE CONDITIONS

Follow these guidelines when using, storing or cleaning your Trolley:

- Operating temperature : do not use or charge the Trolley at ambient temperatures lower than 0°C or higher than 40°C.
- Care and cleaning : unplug the Trolley 36 before cleaning, during lightning storms or when unused for extended periods of time. Use a clean, soft and dry cloth to clean the Trolley. Do not use any chemical detergent, powder or other chemical agents (such as benzene) to clean the Trolley 36.

COMPLIANCE

Changes or modifications to this product not authorised by Vermes and could void the electromagnetic compatibility (EMC) compliance and negate your authority to operate the Trolley.

Vermes B.V. Made in China

Katernstraat 1
1321 NC Almere
The Netherlands
www.securit.nl

Hergestelt in China - Hecho en China - Fabriqué en Chine - Prodotto in Cina - Geproduceerd in China - Feito na china - Произведено в Китае - Vyrobeno v Číně - Lavet i Kina - Valmistettu Kiinassa - Παράγεται στην Κίνα - Proizvedeno u Kini; Kínában készült - Laget i Kina - Wyprodukowano w Chinach - Fabricat in China - Сделано в Китае - صنع بالصين - Tillverkad i Kina - Izdelano na Kitajskem - Izdelano na Kitajskem - Çinde üretil di - Зроблено в Китаї

T. +31 36 5313 554
info@vermes.nl

