

**ravak®**

# Ellen 600 washbasin

Hanging non-assortment ceramic washbasin  
designed for projects.



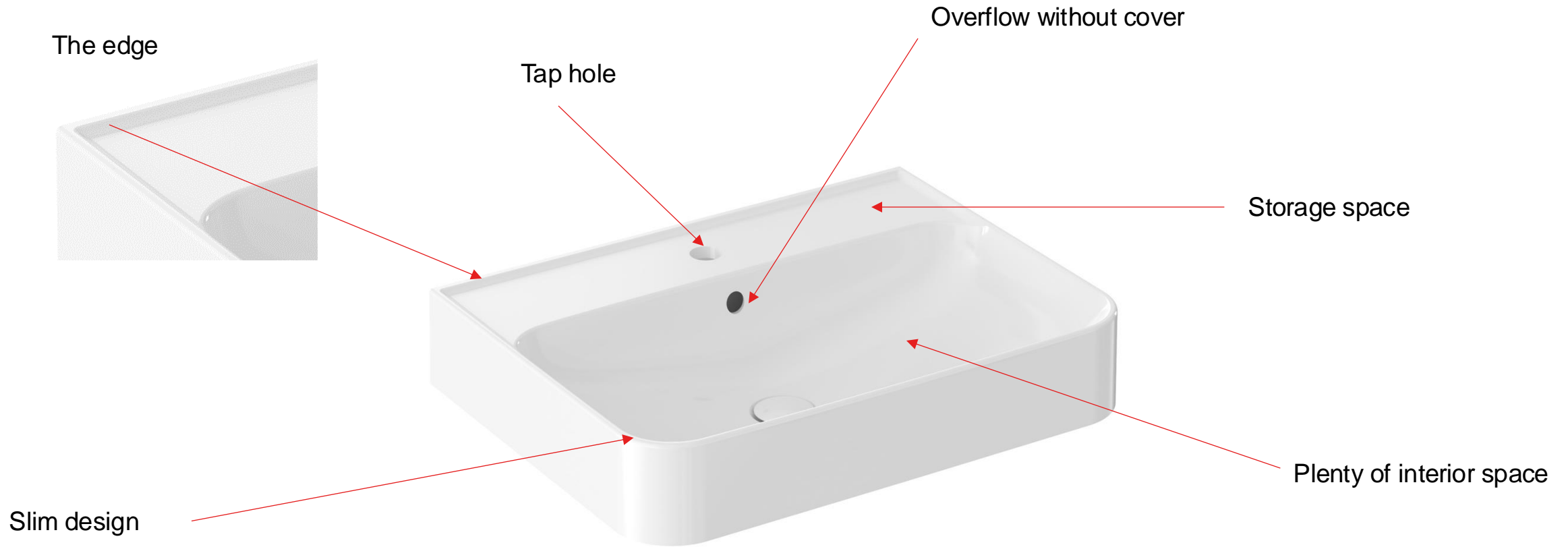
# Why we are bringing this novelties?

- It will enable us to be part of tenders for projects for which we have been limited by our product range or pricing policy.
- We are expanding the offer of non-assortment items with a ceramic washbasin designed for mounting on the wall, which we didn't have in the offer until now.
- In this way, we want to reach a wider range of customers in the category of wall-mounted washbasins.

# Benefits

- A "wet" storage area for storing items that drip water.
- The battery is part of the washbasin => you always have wet hands above the washbasin even when operating it battery and water does not drip around unnecessarily.
- Greater variability in battery selection.
- Ledge makes maintenance/cleaning easier and can prevent dirt, water or soap from reaching the surface behind the washbasin.
- A wall-mounted washbasin is more easily accessible for maintenance and repairs. There is no need to disassemble the cabinet or manipulate the board, which can be more complicated and time-consuming.
- It can be easily installed on the wall at different heights according to users' needs.

# Benefits



# Ellen 600



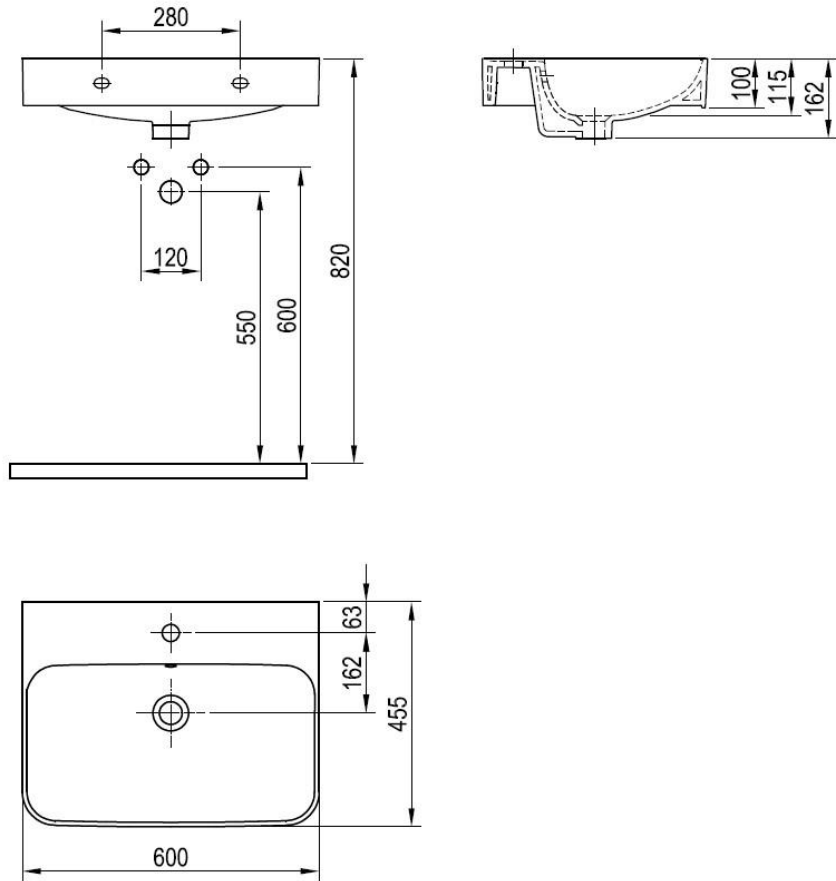
# Ellen 600 washbasin



## Ellen 600 ceramic wall-mounted washbasin

Material	ceramics
Color	white
Construction	on the wall
Overflow	yes
Tap hole	yes
Dimensions (WxHxD)	600 x 115 x 455 mm
Guarantee	5 years
Recommended accessories	stand faucet,waste trap,fixed waste plug
Information	30pcs on palet

# Technical information



# Ellen 600

