

INSTALLATION MANUAL

2-FOLD SHOWER SCREEN

AVIGO

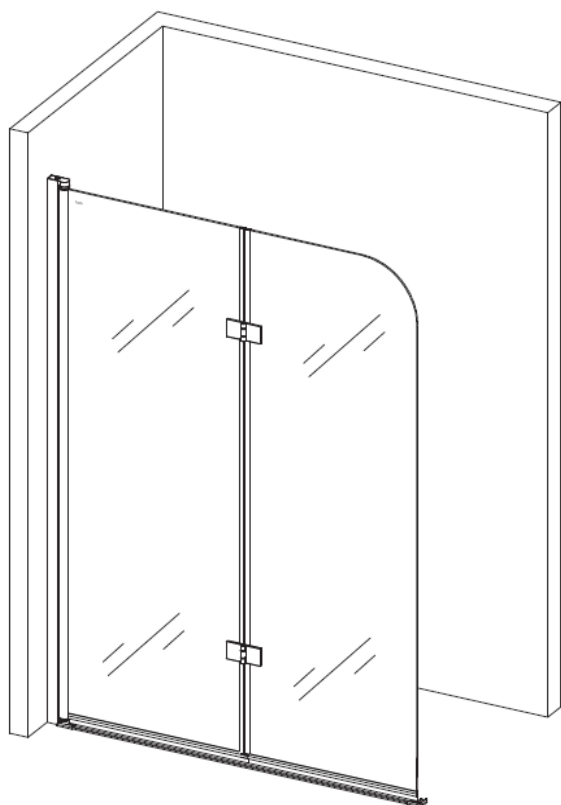
Index:

PNA-2S

Dimensions:

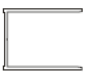
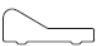












100 x 145 cm

besco


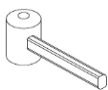
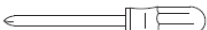
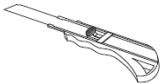
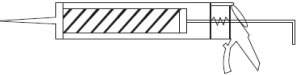


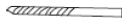

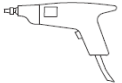


More information: www.besco.eu

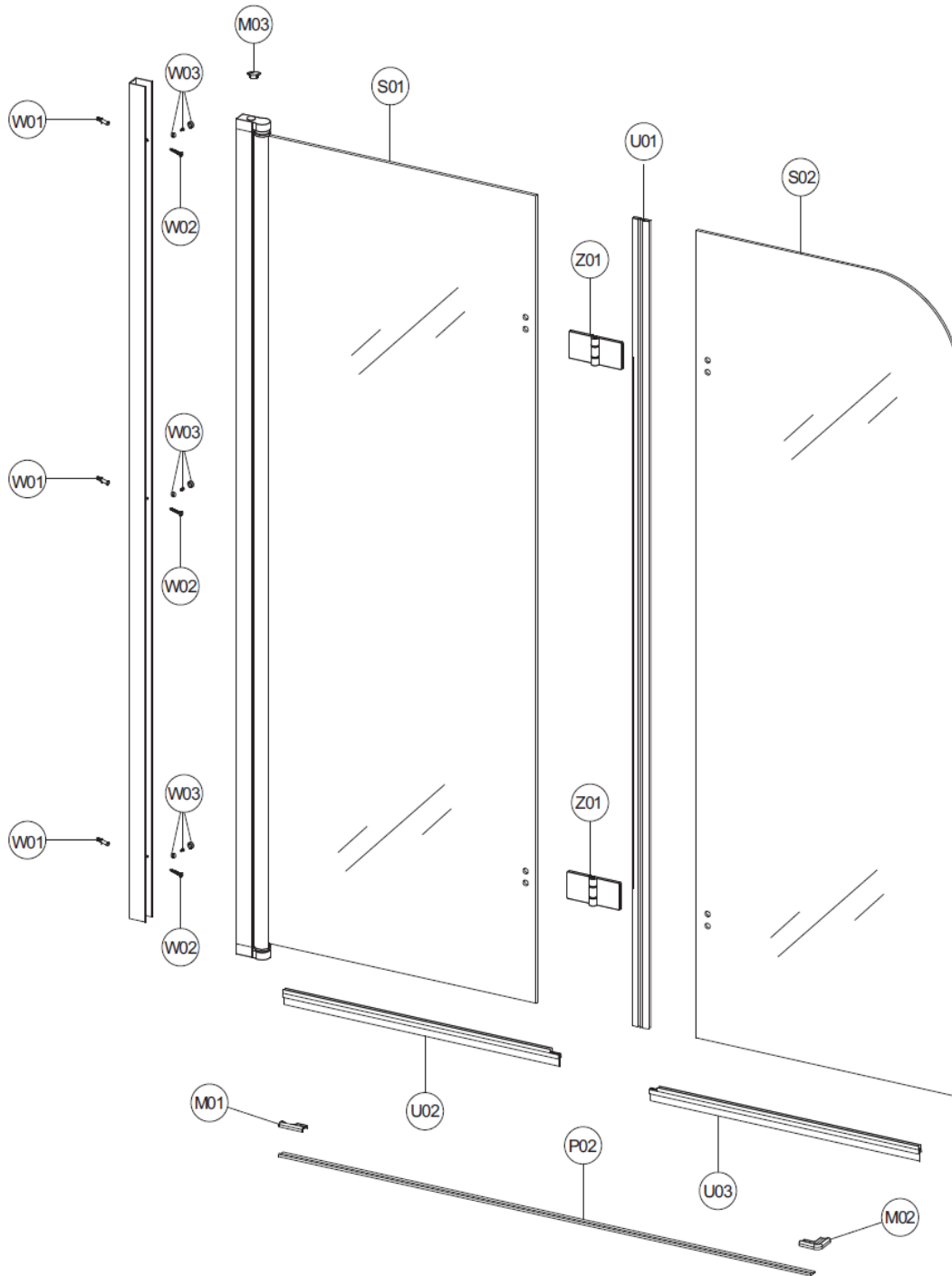
LISTA CZĘŚCI

part number	index	description	IU	quantity	sketch
P01	PSAV2P01C1	AVIGO wall profile, length 1450 mm, chrome	pcs.	1	
P02	PUAV2P02C1	AVIGO aluminum sealing profile, length 930 mm, chrome	pcs.	1	
U01	USAV2U01P1	AVIGO seal between panes, length 1403 mm, clear	pcs.	1	
U02	UDAV2U02P1	AVIGO bottom seal, length 480 mm, clear	pcs.	1	
U03	UDAV2U03P1	AVIGO bottom seal, length 470 mm, clear	pcs.	1	
Z01	ZMAV2Z01C1	AVIGO butterfly hinge, chrome	pcs.	2	
M01	MPAV2M01C1	Cover / end cap for sealing profile, left / right set, chrome	pcs.	2	
M02	MPAV2M02C1	Cover / end cap for sealing profile, corner, chrome	pcs.	1	
M03	MBAV2M03C1	Cover / end cap for column hinge, chrome	pcs.	1	
W01	WKUUUW01D1	Mounting wall plug, Ø6 mm, white	pcs.	3	
W02	WRUUUW02C1	ST4x30 screw, chrome	pcs.	3	
W03	WZUUUW03C1	ST4x12 screw + chrome cover, set	pcs.	3	
S01	SRAV2S01P1	AVIGO moving glass, flat, with column hinge, 1403 x 484 x 5 mm, clear	pcs.	1	
S02	SRAV2S02P1	AVIGO moving glass, flat, 1403 x 460 x 5 mm, clear	pcs.	1	

SUGGESTED TOOLS

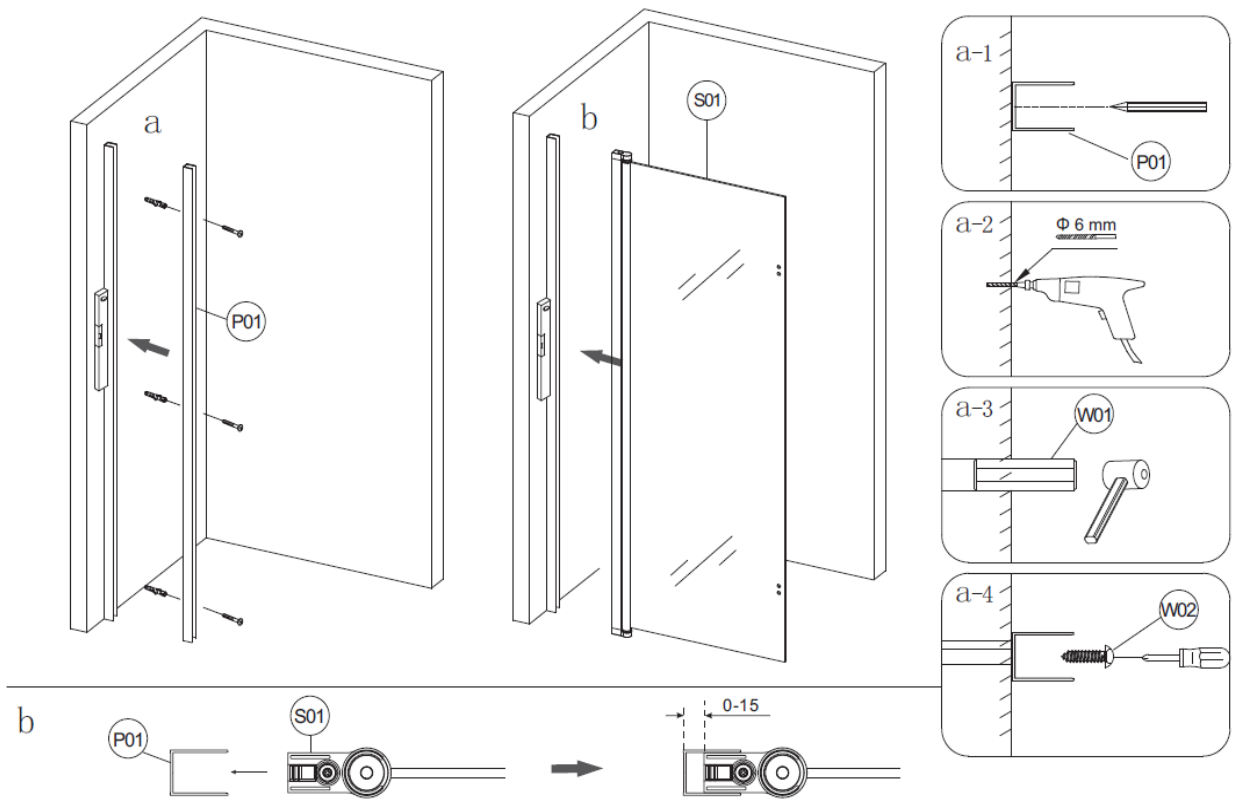
pencil		rubber hammer	
cross screwdriver		wallpaper knife	
clear sanitary silicone		Ø6 mm drill	
spirit-level		Ø3 mm drill	
measuring tape (min. 2 meters)		electric drill	

SHOWER SCREEN SCHEME

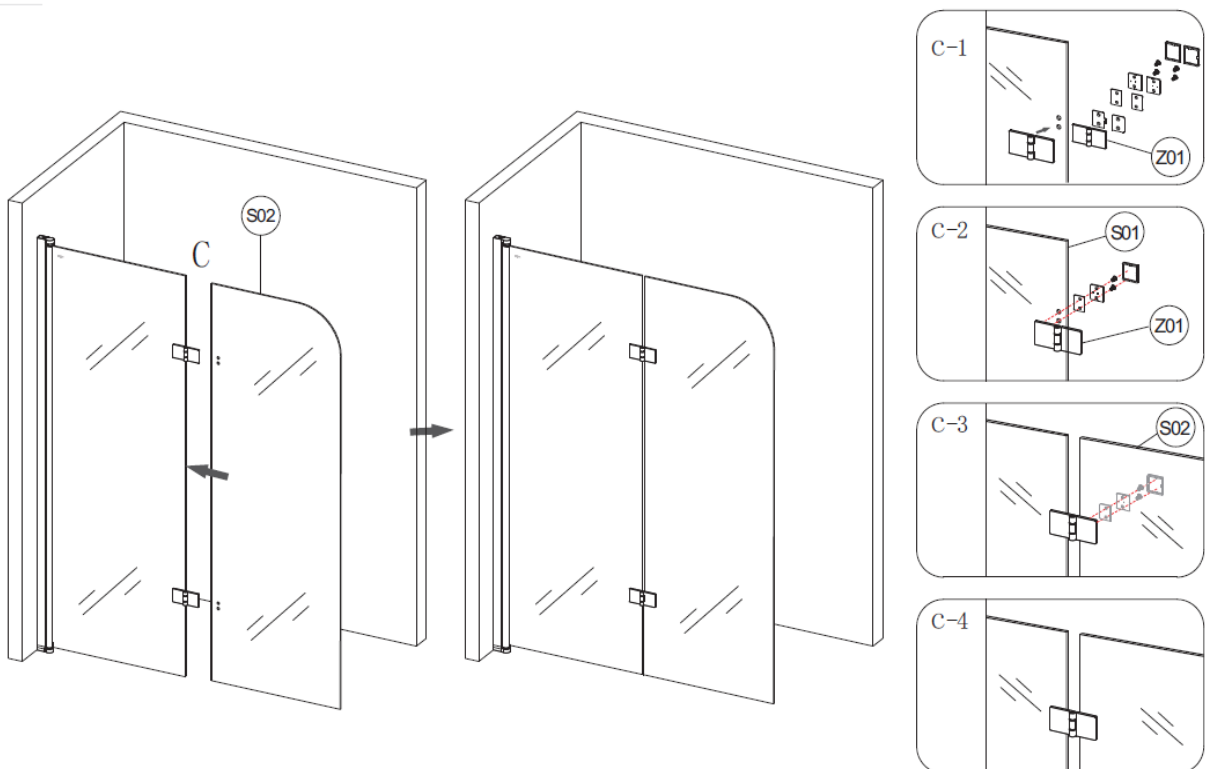


INSTALLATION MANUAL

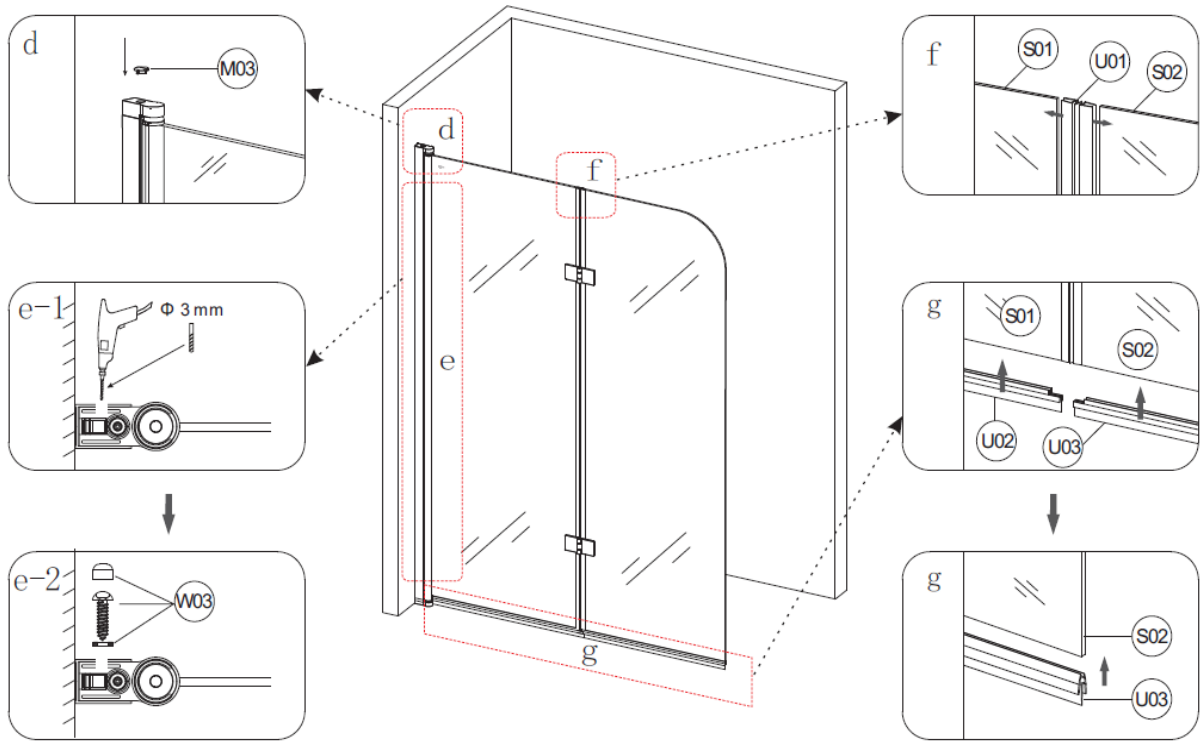
1



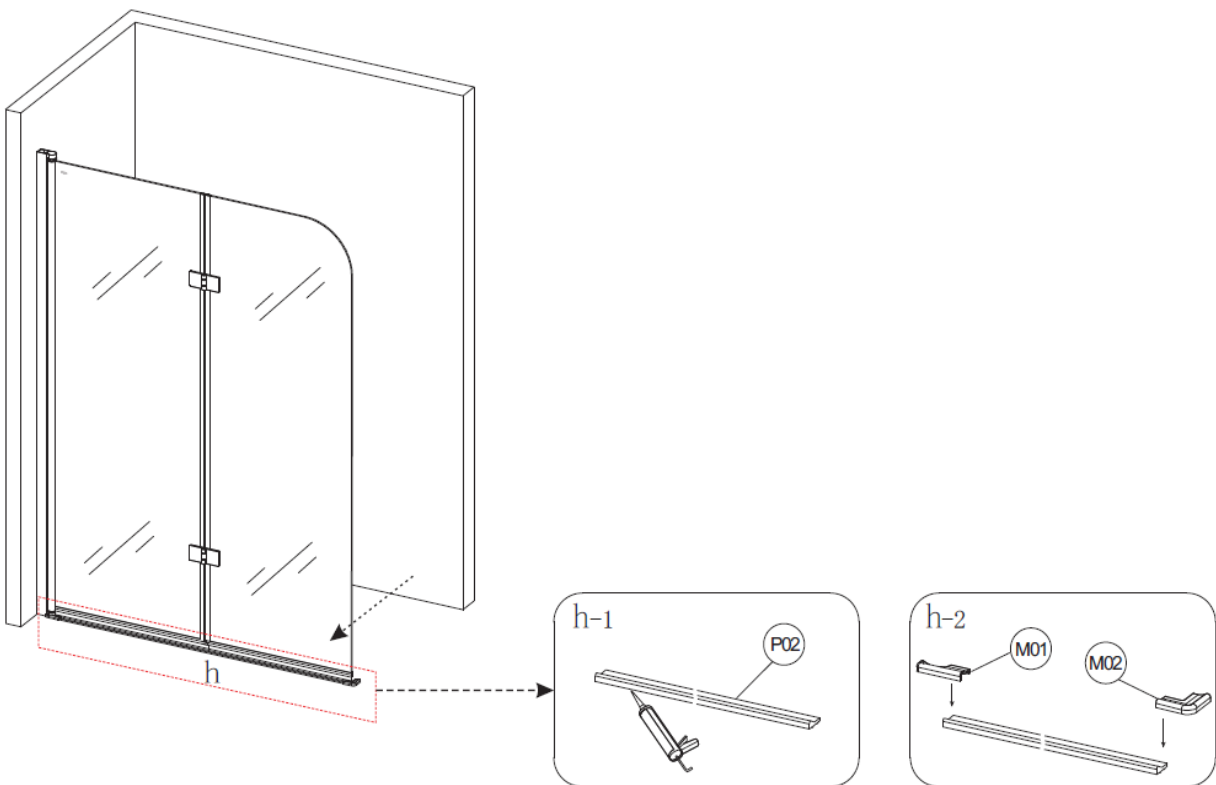
2



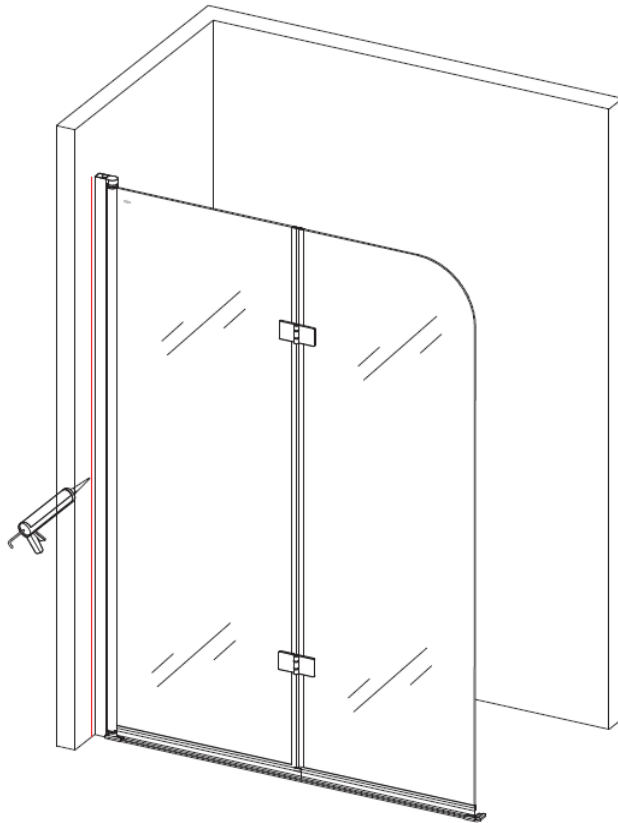
3



4



5



Recommendations regarding use:

After the installation of the shower screen is completed, the shower screen should not be used for at least 48 hours. Do not use caustic or abrasive substances for cleaning the shower screen.

Recommended care product: **Besco Professional "Shower enclosures & screens"**

The most common mistakes made during assembly process:

- 1) The lack of proper surface levelling (bathtub)
- 2) Incorrect assembly of the glass panel with column hinge in the wall profile - the glass, after being placed in the wall profile, should be parallel to the edge of the bathtub
- 3) The lack of a proper leveling of the shower screen after hinges installation, the lack of proper levelling of hinges
- 4) Installation of so called "cold seal" - the seal should be stored at least 12 hours at room temperature before its assembly
- 5) The seal shortening - the seal is cut to a measure in the factory to match a particular model of the shower screen

How to maintenance Besco shower screens?



Just remember a few basic rules, to be able to enjoy your shower screen for many years.

It is important to use only soft sponges or cloths and liquids that do not contain corrosive substances or scrubbing particles, as they can easily damage the glass surface of the shower screen.

To make a daily care of our products a little bit easier and to ensure their comfortable use, we have introduced a professional cleaning agent for shower screens to our offer: **Besco Professional "Shower enclosures & screens"**

CONTACT DETAILS:

Besco Sp. z o.o., Kościelna 21, 38-524 Besko, Poland

M: +48 600 700 336

T: +48 13 467 34 44

F: +48 13 467 34 44

email: info@besco.eu

