

ARNIKA

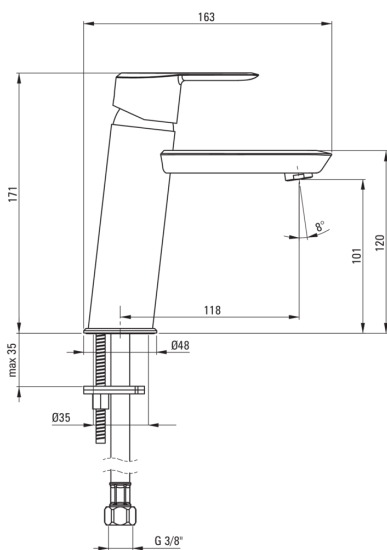
Washbasin tap

Product code: BQA_N20M

EAN: 5907650826422

Color: nero

Warranty [years]: 7



Mixer

Finish	nero
Mixer type	mixer, single-handle
Installation method	standing
Flow class [l/min]	Z - 4-9 l/min
Acoustic group [db]	I (x ≤ 20)

Mixer cartridge

Ceramic cartridge size	35 mm
------------------------	-------

Spout

Mixer spout range [mm]	118
Material	brass

Aerator

Aerator type	silicone
Aerator size	M22
Water flow reduction	en_do 9

Connecting hose

Length [mm]	450
Installation thread	3/8"
Connection thread	M10

Features:

- Design full of beauty and harmony
- The variety of colours gives many arrangement possibilities
- Innovative, durable and easy to clean Nero coating
- 45 cm connection hoses included
- Z flow class (4-9 l/min) allowing for water consumption reduction
- The mixer is equipped with a stream aerator
- Silicone aerator for easy limescale removal
- The mixer body is made of the highest quality brass
- Only the best materials, the quality of which has been confirmed by laboratory tests
- we recommend buying a universal plug in the color of the mixer
- The offer includes a cleaning agent for fixtures in all colors