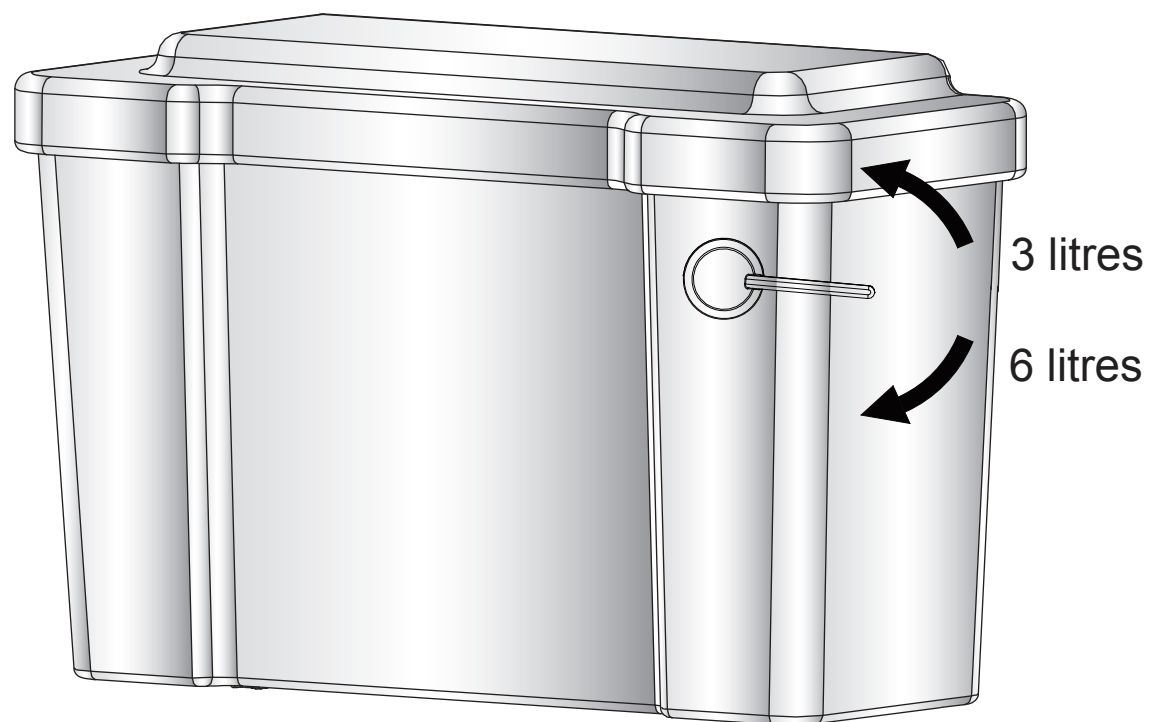
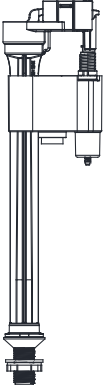
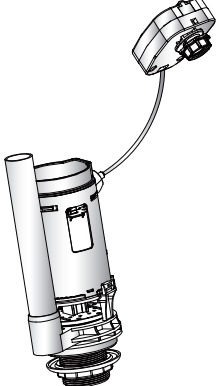
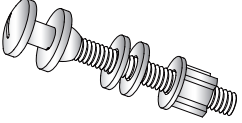


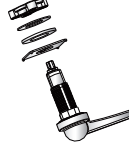





All WC's come with a 3/6 litre flush as standard which can be reduced to a 2.5/4.5 litre flush for the slimline cisterns
On the Close Coupled WC you must press the lever down lightly for the 6 litre flush and lightly lift the lever for the 3 litre flush



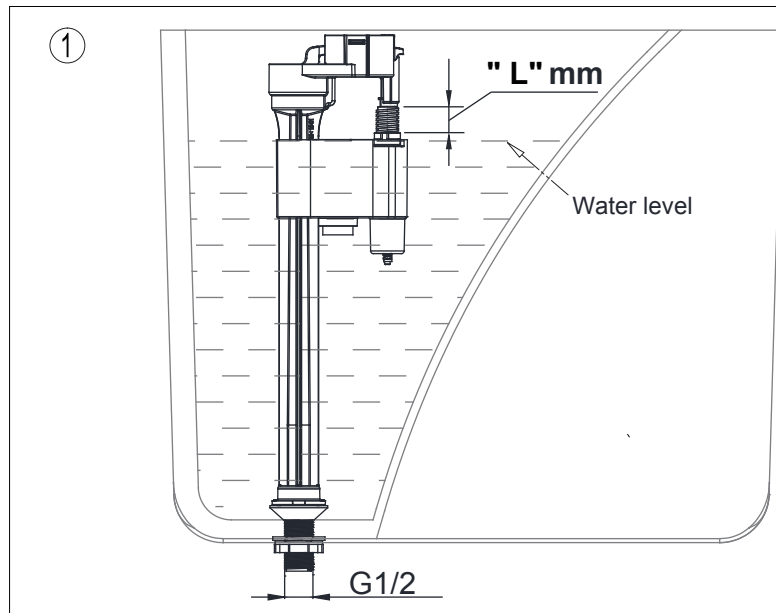
Please note that it is imperative that there are no loops or kinks in the yellow tube when installed and that the lever is not operated with excessive force as this will damage the cable inside the tube that lifts and lowers the flush valve causing the flush to fail beyond repair

Parts supplied:

				
Inlet Valve	Flush Valve	Bolt	Rubber Doughnut	Fixing Nut
1x	1x	2x	1x	1x
				
		Lever	Plastic Washer	Cone Washer
		1x	1x	1x
				Flush Cone
			1x	1x

- Please read these instructions carefully to avoid damage to the valves, and to ensure correct installation.
- Do not use bleach or bleach based cleaning products in the cistern, as these will cause damage to the seals. We cannot be held responsible or liable for any failure which results from the use of bleach based products.
- Water temperature range +2C to +45C.
- Water pressure 0.2 to 8 bar.

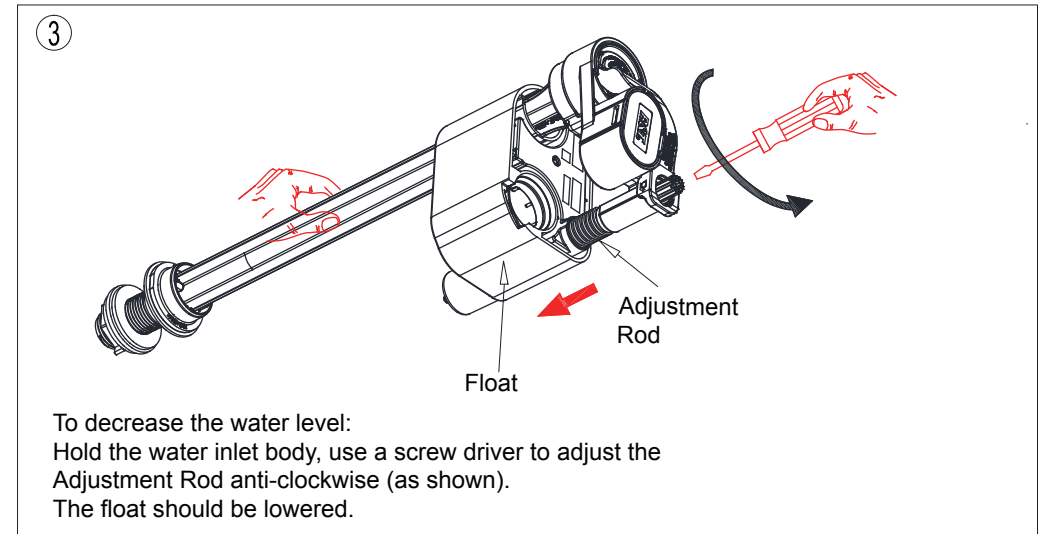
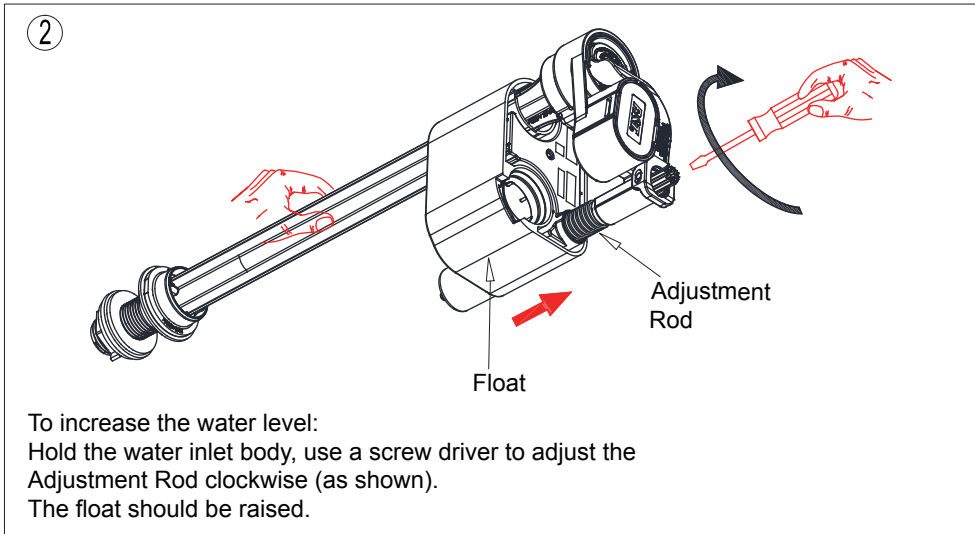
1: Inlet Valve scale and adjustment settings



Note:

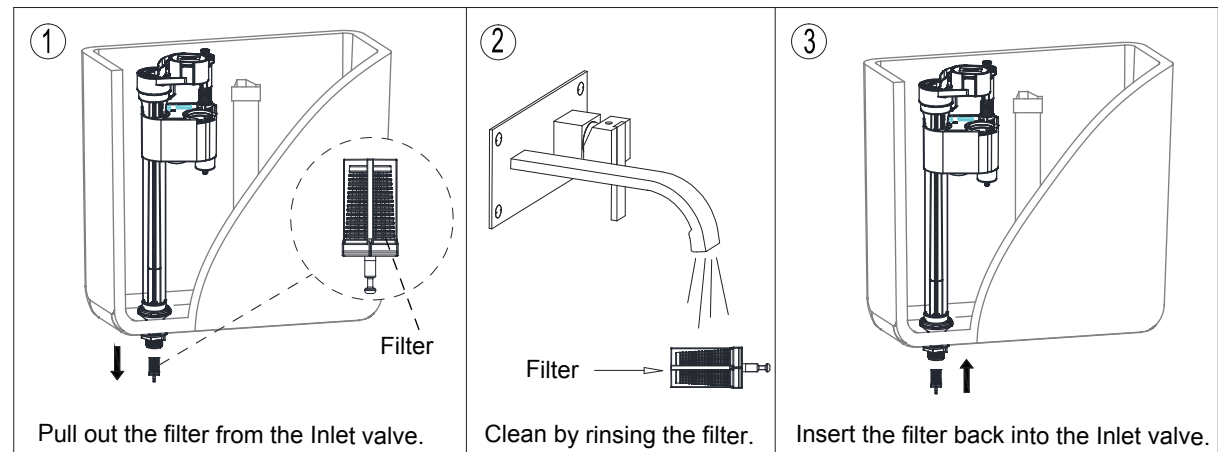
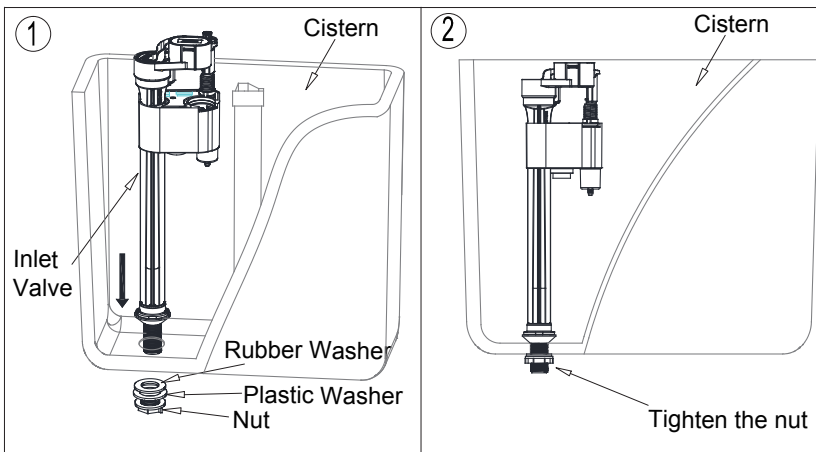
The inlet valve is preset for 6L full flush and 3L half flush.
For adjustment method, please refer to the page 2 diagram.

Cistern	L (mm)	L (mm)
	6L full flush / 3L half flush	4.5L full flush / 2.6L half flush
ARC5	44	46



2: Inlet Valve installation

3: Filter cleaning (Please clean periodically)



4: Inlet Valve trouble shooting

Problem	Reason	Solution
Incorrect water level	Incorrect adjustment.	Adjust the Water level correctly as per page 1 & 2.
Inlet Valve does not work	Water supply is closed.	Open the water supply
	The filter is blocked.	Clean the filter.
	The Stop Float has been over adjusted beyond its operational range.	Reconnect the Adjustment Rod, and adjust the water level as per A on page 1 .
Leakage	The Inlet Valve fixing nut has not been tightened.	Tighten the nut.

Flush Valve Installation And Problem Solving

1: Flush Valve scale and adjustment setting

Note: The Flush Valve is preset for 6L full flush and 3L half flush.

The diagram "A" below indicates the correct setting for 6L full flush and 3L half flush.

The diagram "B" below indicates the correct setting for 4.5L full flush and 2.6L half flush.

A

① Half Flush Float : should be set on the 1 mark
 ② Full Flush Adjustor : should be set on the 1.5 mark
 ③ Half Flush Adjustor : should be set on the 5 mark

Half flush float
 ① Move float down, flush volume increases.
 Move float up, flush volume decreases.

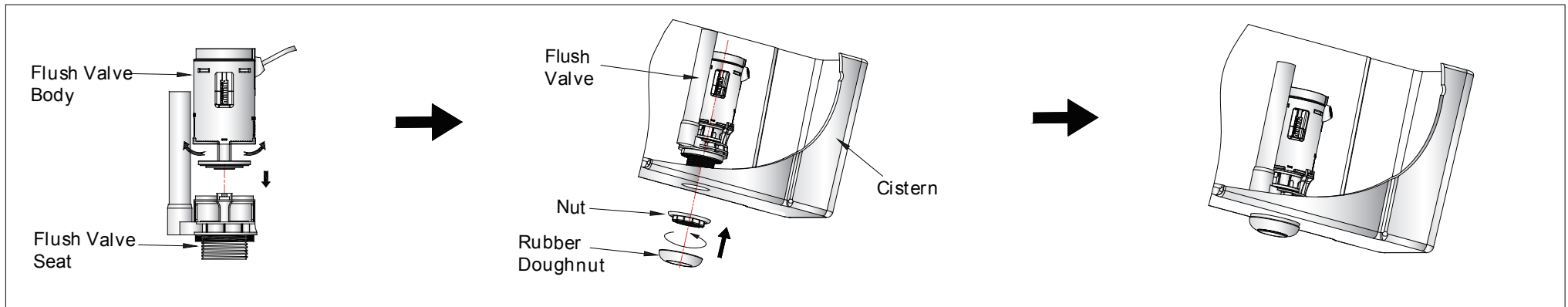
Full flush adjustor
 ② Move adjustor down, flush volume increases.
 Move float up, flush volume decreases.

Half flush adjustor
 ③ Move adjustor down, flush volume increases.
 Move float up, flush volume decreases.

B

① Half Flush Float : should be set on the 3.5 mark
 ② Full Flush Adjustor : should be set on the 6 mark
 ③ Half Flush Adjustor : should be set on the 5 mark

2: Flush Valve installation



3: Flush Valve trouble shooting

Problem	Reason	Solution
Leakage	1. Incorrect installation. 2. Flush valve seat does not fit flush valve body. 3. Flush valve body is stuck.	1. Install again according to the correct installation procedure. 2. Install again. 3. Disconnet and wash flush valve body.
No flush, low flush or half flush volume	Cable is distorted.	Remove kinks or sharp bends in the cable.
Half flush water level is too high or too low.	Water level is adjusted incorrectly.	Adjust water level.

Close Coupled Cistern & Flush Level Installation

1: Install Close Coupled Cistern To Pan

* Please ensure the flush cone is in position before installation.

① Clamp the cistern and pan with the bolts as shown on the left.

② Install the cistern as shown and tighten the fixing nuts.

③ Connect the water supply to the cistern.

2: Install Lever

Flush Button Box
Fixing Nut
Nut
Anti-rotation Washer
Lever

Plastic Washer
Rubber Washer

Pull

Insert the box and tighten the nut.

* Raise the lever so that it fits into the flush box in the correct position.

* The fixing nut should be tightened as much as possible to avoid the cistern lever working loose during operation.

B Direction

Cistern Lever Hole
Slot In The Thread

B

* With the lever facing outward and the slot on the thread facing upwards, fix the lever to cistern.

Note:
After installation check that the full flush and half flush are working correctly. Please consult the trouble shooting pages if there are any problems.