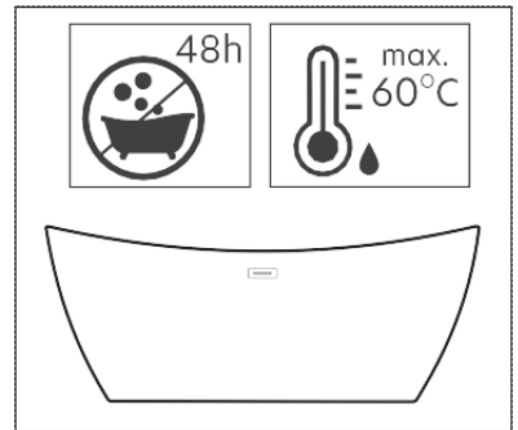


## Models:

Ayla, Vica, Melody, Zoya, Amber, Calima, Navia, Evita,  
Goya A-Line, Varya, Leya, Giuliana

Thank you for choosing the Besco freestanding bathtub.  
Please read this manual and the conditions of the attached  
warranty carefully before starting the installation.



## Recommendations:

1. The bathtub should be left to settle at room temperature for 48 hours prior to installation.
2. The product should be cleaned regularly with the use of delicate cleaning products and soft, damp cloth. Avoid using products that contain abrasive particles that can damage the bathtub surface. Do not use products containing corrosive substances. Recommended care product: Besco Professional "Bathtubs & shower trays".
3. Avoid contact of the bathtub with dyeing substances that could permanently discolour the product, e.g. hair dye, nail polishes, coloured bath oils, etc.
4. Do not use acetone, ammonia, methanoic acid, methanol (formaldehyde) or products containing these substances on the bathtub surface.
5. Do not use an open fire near the bathtub.
6. When choosing the installation location for the bathtub, it is important to take into account the fact that it is a thermoformed product, which means that the bathtub should not be stored, transported or installed near a strong heat source.
7. The material from which the bathtub is made allows for the removal of slight dullness or scratches. A generally available polishing paste should be used.  
The maximum permissible water temperature is 60°C.
8. After using the bathtub, any residual water that could leave traces of lime scale on the product should be wiped off.
9. Avoid high amplitudes of water temperature when using the bathtub.
10. It is recommended to choose a bathtub mixer with a sufficiently long spout. The water stream should not be directed directly on the inner walls of the bathtub.
11. Adequate ventilation must be provided in the room where the bathtub is to be installed.

## Caution!



The installation of the bathtub should be entrusted to a qualified contractor. Defects arising from incorrect installation and use of the bathtub do not constitute ground for complaint.



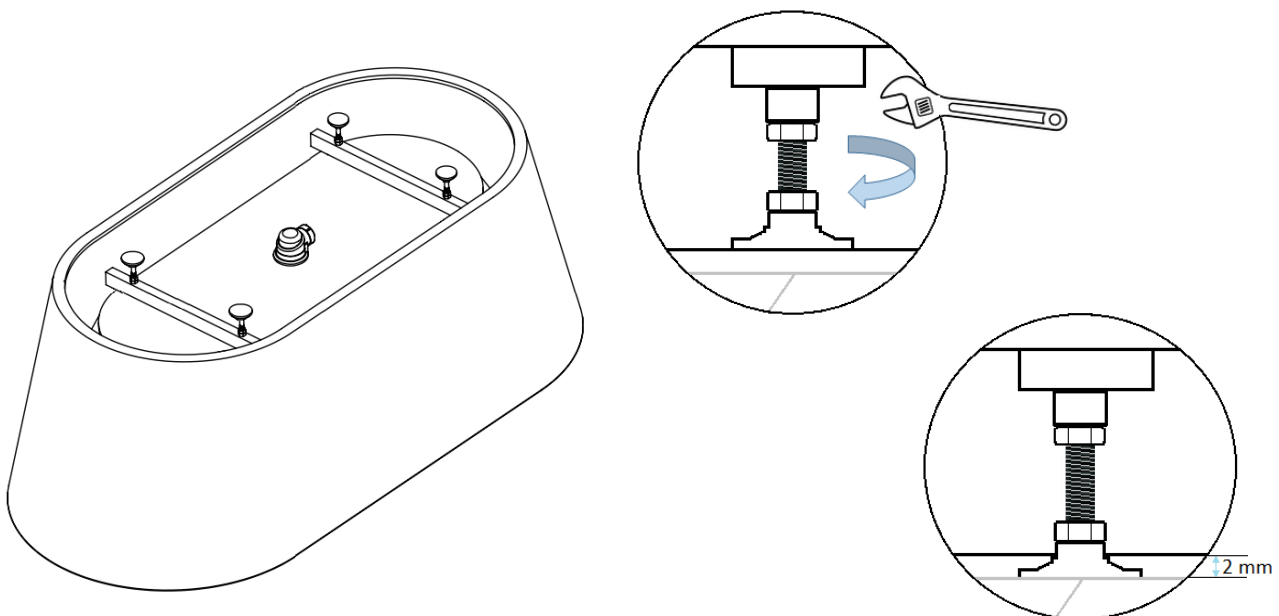
**Caution!** The wet surface of the bathtub is a potential risk of slipping, especially when using cosmetic products such as soap, shampoo or bath oils. When using the bathtub, special attention should be paid when entering and exiting the bathtub.

Remarks on the installation of the bathtub:

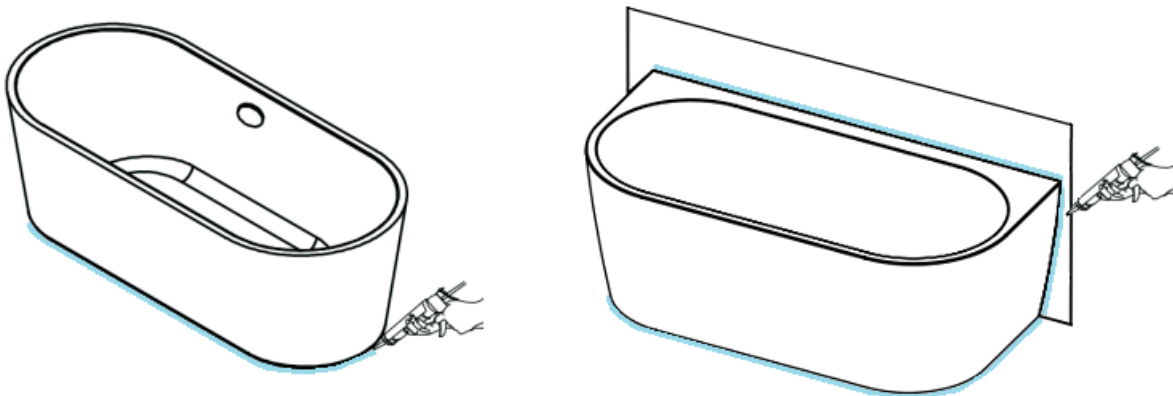
- \* the drawings and diagrams included in the manual are for illustrative purposes only and contain only details relevant for the correct installation of the bathtub;
- \* for efficient installation of the bathtub, spanner, spirit level, sanitary silicone & measuring tape will be needed;
- \* the surface chosen for installation of the bathtub should be clean, even and stable;
- \* during transport, after removing the bathtub from the transport package, it should be transported upside down - transporting the bathtub by the panel may lead to its damage;
- \* do not move the bathtub on the ground during transport and installation;
- \* the bathtub should not be placed on the side during installation process - excessive strain on one side may lead to damage to the acrylic surface of the bathtub;
- \* during installation, it is necessary to properly protect the bathtub so as not to damage its surface.

**Bathtub installation:**

1. Carefully unpack the bathtub, which, depending on the model, can be delivered on a pallet (attached with screws and/or conveyor belt), in a wooden case or in a carton box.
2. Check the completeness and compliance of the bathtub with the order. In the event of any deficiencies, defects or damages (e.g. transport), do not install the bathtub.
3. Place the bathtub in a designated place.
4. Level up adjustable feet (1-6 pcs. depending on the bathtub model) provided with the bathtub, leaving about two millimetres of space between the bottom edge of the bathtub and the floor.



5. Tighten the factory installed or supplied separately siphon.
6. Connect the siphon to the drain and check the tightness of the connections by filling the bathtub with a small amount of lukewarm water.  
Caution! Before installing the bathtub, check the water supply and outlet pipes, including possible contaminants that could damage the surface of the bathtub. It is not recommended to connect the bathtub to a water softening system with salt extraction, as this is associated with the risk of discoloration on the surface of the bathtub.
7. It is recommended to apply silicone only after a few days of the bathtub use to ensure that all connections are tight.
8. Apply silicone over the entire contour of the bathtub bottom, leaving two expansion gaps of approx. 5 cm. In addition, for by-the-wall freestanding bathtubs, the space between the edge of the bath and the wall must also be sealed with silicone.



9. Remove excess silicone and allow it to dry according to the manufacturer's recommendations of the selected silicone.
10. After the installation, do not use the bathtub for 48 hours.

In case of any questions, please contact our helpline at: **+48 600 700 336**

# BESCO ACRYLIC FREESTANDING BATHTUBS WARRANTY



Model / dimensions: .....

Date of sale: .....

Purchase document number: .....

.....

Seller's stamp

Before installing the bathtub, please read the terms of this warranty and install and use the bathtub in accordance with its intended purpose.

## **Terms and conditions of the warranty:**

\* Each Besco freestanding bathtub has appropriate transport safeguards to protect the product against possible damage (protective film, cardboard, etc.). The external surfaces of the product should be inspected by the Buyer at the place of purchase or delivery also when they are originally packaged. After evaluating the product in terms of quality, it is then necessary to re-protect the tub from mechanical damage, which may occur both during transportation and the installation itself. Complaints about visible manufacturing defects will not be considered after installation of the bathtub.

\* The warranty period is 5 years for the shape / dimensions (within tolerance limits) and surface colour of the bathtub and 2 years for other elements.

\* The warranty is valid in the territory of the Republic of Poland.

\* Warranty period starts from the purchase date of the product. Warranty card without the date of purchase, the exact name of the product, Buyer's information and signature, Seller's stamp and signature, and attached proof of purchase (invoice or receipt) is invalid.

\* The Guarantor's liability under warranty shall be excluded in the event of:

- purchased products in which damage was caused by destruction or mechanical damage to the product;
- defects resulting from improper installation, not in accordance with the instructions attached to the product;
- defects caused by carelessness or misuse of the product, incompatible with intended use and manufacturer's recommendations regarding use of the product;
- the impact of high temperatures;
- contact with organic solvents, abrasive and corrosive substances;
- interference in the product by the Customer;
- natural wear and tear of the product;
- damages caused by precipitation of sediments (lime scale) from water from the installation and improper everyday care of products, e.g. the use of improper care products (containing acetone, abrasive or corrosive substances);
- non-essential defects, i.e. those which will be invisible after proper installation of the bathtub and/or have no impact on functional features of the bathtub;
- slight deviations of the product features from the declared characteristics which do not affect functional features of the bathtub;

# BESCO ACRYLIC FREESTANDING BATHTUBS WARRANTY



- defects resulting from natural disasters and force majeure;
- products purchased by the Customer from the showroom display and/or at a reduced price, i.e. products with visible defects due to which its initial price was reduced, of which the Buyer knew and to which he agreed.

## **Caution!**

The manufacturer is not liable for damages caused by improper installation of the product, incompatible with the installation manual, and above all, any damages that arose if it has not been installed in a manner ensuring its easy removal. The Manufacturer will not cover any additional expenses associated with removing/replacing of the product, i.e. damage caused to elements obstructing the removal/replacement of the product (i.e. tiles, fixtures and fittings).

- \* The warranty does not exclude, limit or suspend the buyer's rights which stem from incompatibility of the product in accordance with the contract.
- \* In the case of genuine claim, the Manufacturer is committed to: repair the product within the shortest possible time or replace the product if the repair of the damage is impossible or requires excessive costs. The Manufacturer may also agree to refund the purchase price of the product by the Seller who sold the defective product to the Consumer. The manufacturer solely decides as to how to remedy the defect of the product.
- \* If the Manufacturer decides to refund the purchase price of a defective product by the Seller who sold the defective product to the Consumer, the Consumer is obliged to physically return the defective product to the registered office of Besco company.
- \* Products submitted for repair must be in compliance with the essential requirements of hygiene.
- \* The complaint will be dealt with within a period not exceeding 14 days from the date of filing the complaint. This period starts from the moment of supplying the Manufacturer with a complete set of all relevant documents. The Manufacturer reserves the right to request additional pictures to complete the documentation.
- \* Unjustified complaints about the product entitle the Manufacturer to demand reimbursement of the costs incurred in this connection.
- \* The warranty claim expires if the repair was carried out by persons who are not authorized service providers of the Guarantor or if parts of another Manufacturer were used.
- \* Installation of the product constitutes acceptance of the terms of this warranty and certifies the absence of visible defects and deficiencies in the bathtub equipment.

The warranty card is valid from 13. 11. 2023

By purchasing the product, the Buyer declares that he has read the warranty conditions and accepts them.

.....  
Customer data and Signature