

# SENSE

## Washbasin tap, contactless

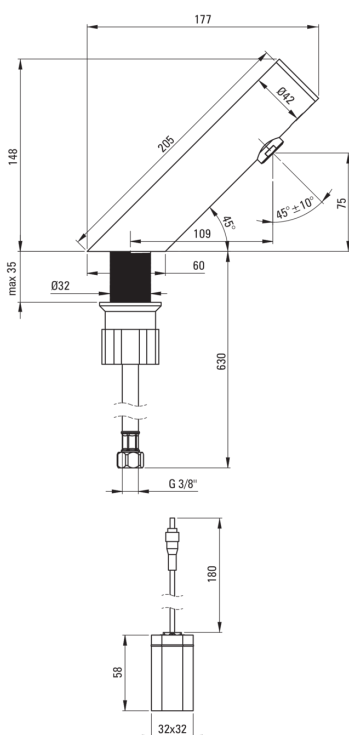


Product code: BQR\_N28R

EAN: 5907650819721

Color: nero

Warranty [years]: 7



### Mixer

|                     |               |
|---------------------|---------------|
| Finish              | nero          |
| Mixer type          | sensor        |
| Installation method | standing      |
| Flow class [l/min]  | Z - 4-9 l/min |
| Acoustic group [db] | I (x ≤ 20)    |

### Spout

|                        |     |
|------------------------|-----|
| Mixer spout range [mm] | 110 |
|------------------------|-----|

### Aerator

|              |                  |
|--------------|------------------|
| Aerator type | swivel, silicone |
| Aerator size | M24              |

### Connecting hose

|                     |      |
|---------------------|------|
| Length [mm]         | 750  |
| Installation thread | 3/8" |
| Connection thread   | M8   |

### Features:

- Sensor Duopulse - a sensor that draws current impulsively
- The product requires mixed water supply or connection with a central mixer
- The mixer is manufactured in Poland, with the utmost care for product quality.
- The sensor is located on the top of the body, free from dirt and accidental signals
- Innovative, durable and easy to clean Nero coating
- The mixer is equipped with a stream aerator
- Anti-vandal tap - resistant to damage
- The mounting sleeve facilitates the installation of the mixer
- Silicone aerator for easy limescale removal
- Z flow class (4-9 l/min) allowing for water consumption reduction
- The movable aerator allows you to direct the water stream
- Only the best materials, the quality of which has been confirmed by laboratory tests
- 45 cm connection hoses included
- The offer includes a cleaning agent for fixtures in all colors