

SENSE

Washbasin tap, contactless

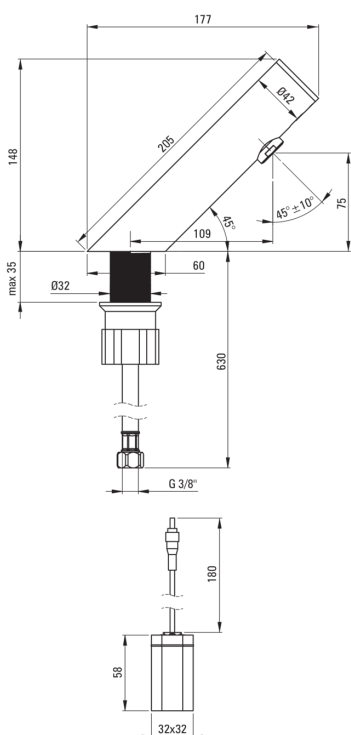


Product code: BQR_F28R

EAN: 5907650819677

Color: brushed steel

Warranty [years]: 7



Mixer

Finish	steel
Mixer type	sensor, for mixed water
Installation method	standing
Flow class [l/min]	Z - 4-9 l/min
Acoustic group [db]	I (x ≤ 20)

Spout

Mixer spout range [mm]	110
------------------------	-----

Aerator

Aerator type	silicone, swivel
Aerator size	M24

Connecting hose

Length [mm]	750
Installation thread	3/8"
Connection thread	M8

Features:

- Anti-vandal tap - resistant to damage
- The product requires mixed water supply or connection with a central mixer
- Sensor Duopulse - a sensor that draws current impulsively
- The movable aerator allows you to direct the water stream
- Silicone aerator for easy limescale removal
- 45 cm connection hoses included
- The mounting sleeve facilitates the installation of the mixer
- Brushed steel, resistant to scratches and cleaning agents
- Power supply type IP 54, resistant to water splashes and dust. Galvanic isolation separates the dangerous voltage circuit from the sensor circuit, ensuring maximum safety.
- The sensor is located on the top of the body, free from dirt and accidental signals
- The mixer is manufactured in Poland, with the utmost care for product quality.
- Z flow class (4-9 l/min) allowing for water consumption reduction
- Contactless tap with a motion sensor
- Only the best materials, the quality of which has been confirmed by laboratory tests
- The mixer is equipped with a stream aerator
- The offer includes a cleaning agent for fixtures in all colors