

2x



2x

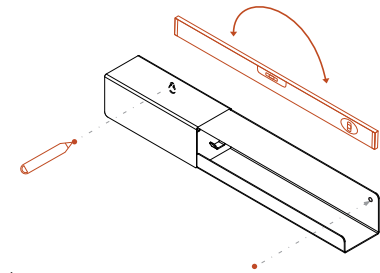


For installation, use expansion plug suitable for wall construction.

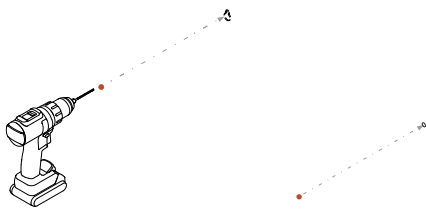
Not recommended for plaster walls.

Max. load 10kg

1.

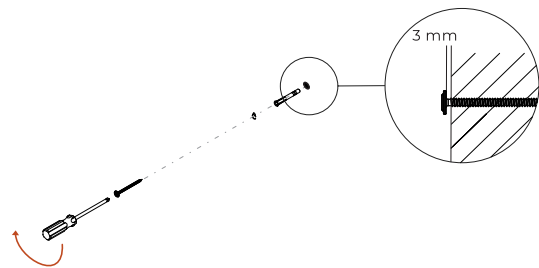


2.

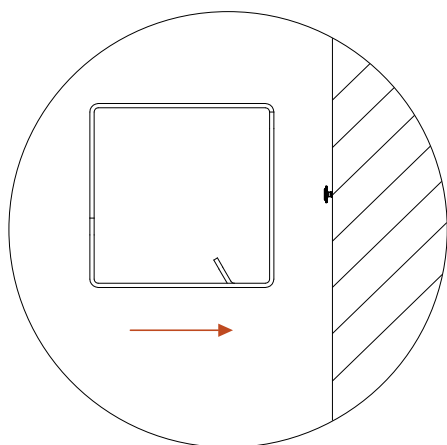


Drill:  $\varnothing$  6mm  
Hole depth: min. 70mm

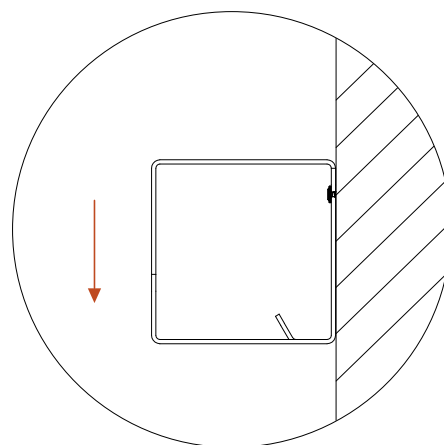
3.



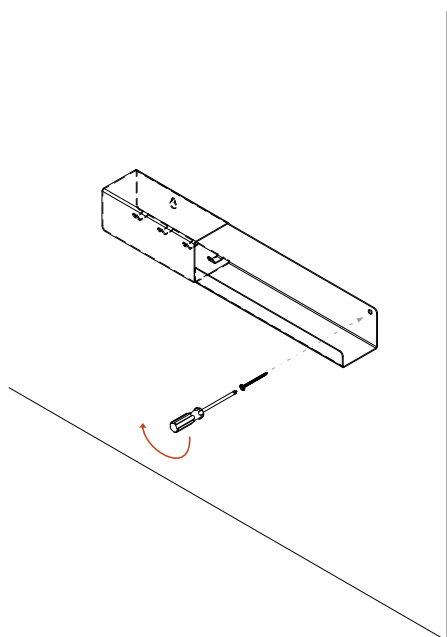
4.



5.



6.



7.

