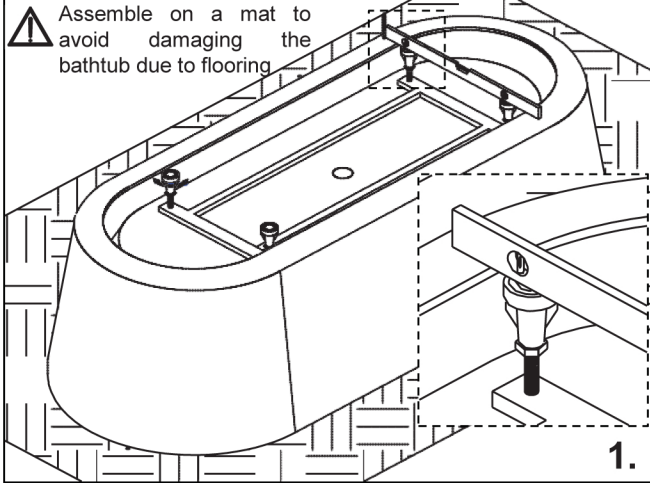
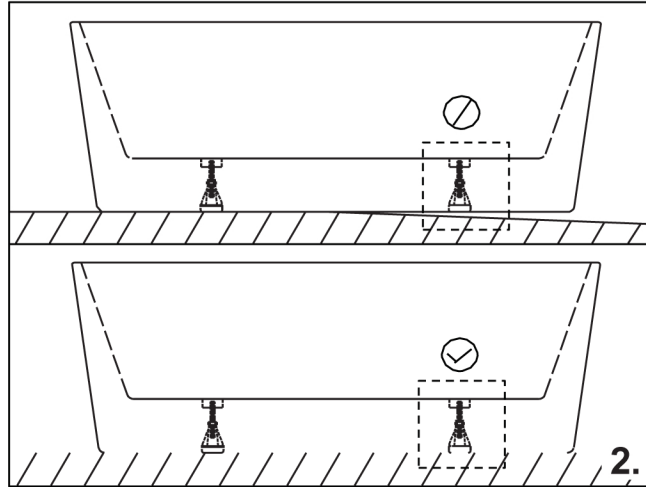


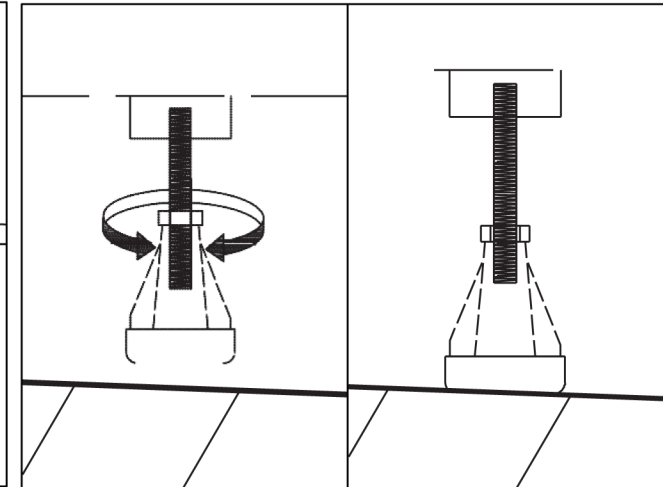
# INSTALLATION



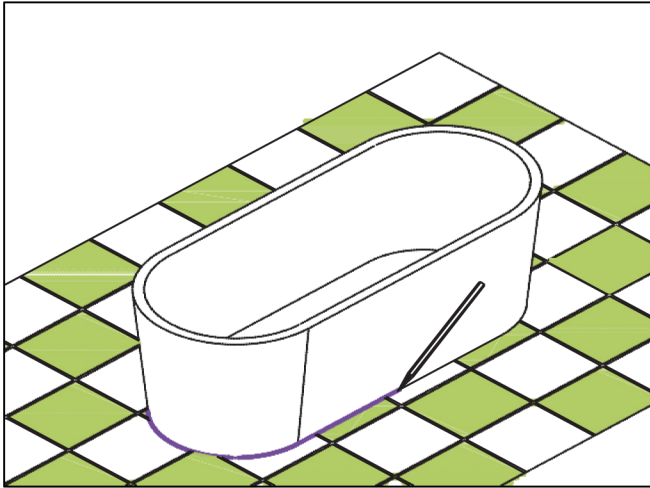
- Make sure that the legs of the bathtub are adjusted to the same level as the base of the bathtub.




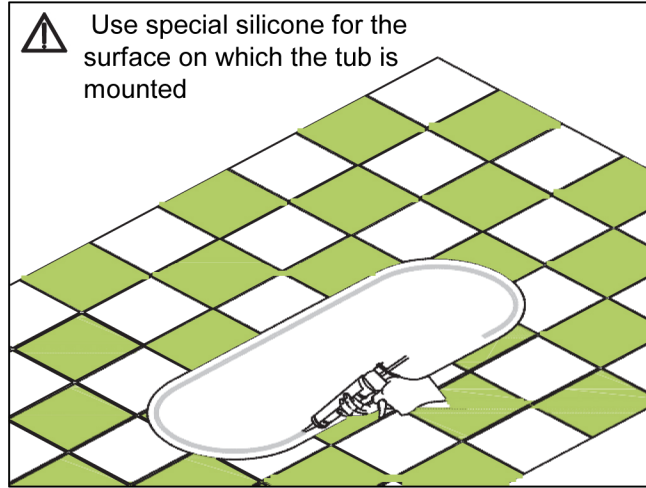
- Check that the position of the tub is horizontal. Adjust the legs of the bathtub to compensate for level differences.




- Before step no.3, position the drain in the appropriate place.

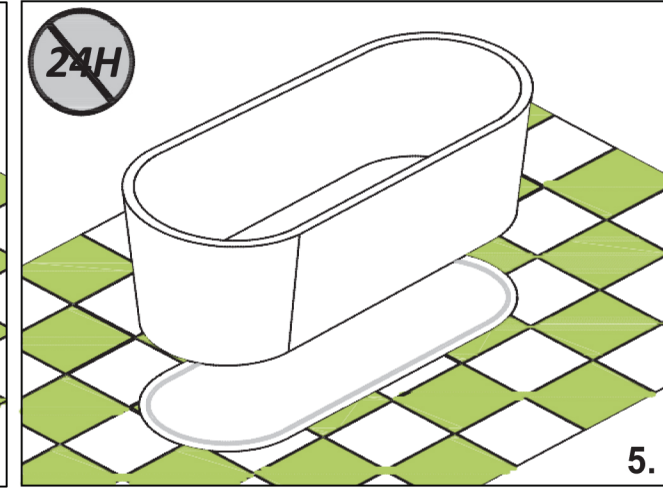


-  With a pencil, mark the outside of the bathtub.



-  Use special silicone for the surface on which the tub is mounted

- Apply a thick layer of silicone inside the marking.



- Place the bathtub in the final position.

This guide does not include details about installing the drain; the final decision regarding the installation of the drain must be taken by a qualified person.